

# Membrane filtration processes

Michel Jaffrin

Michel Jaffrin

# Membrane filtration processes

---

Membrane filtration processes

1<sup>st</sup> edition

© 2015 Michel Jaffrin & [bookboon.com](http://bookboon.com)

ISBN 978-87-403-0894-5

# Contents

<b>1</b>	<b>Introduction</b>	<b>7</b>
1.1	Principles and main parameters of filtration	7
1.2	Classification of membranes processes	8
<b>2</b>	<b>Fluid Mechanics</b>	<b>12</b>
2.1	Poiseuille Flow	12
2.2	Turbulent flow ( $Re > 2600$ )	13
2.3	Laws of tangential filtration	14
<b>3</b>	<b>Various types of membranes and modules</b>	<b>22</b>
3.1	Organic membranes (cellulosic and polymeric)	22
3.2	Mineral membranes	23
3.3	Various types of modules	23

I joined MITAS because  
I wanted **real responsibility**

The Graduate Programme  
for Engineers and Geoscientists  
[www.discovermitas.com](http://www.discovermitas.com)



**Month 16**

I was a construction supervisor in the North Sea advising and helping foremen solve problems

Real work  
International opportunities  
Three work placements









<b>4</b>	<b>Modelisation of membrane circuits</b>	<b>25</b>
4.1	Conservation of volume and mass flow rates	25
4.2	Single batch filtration circuit	26
4.3	Diafiltration in single batch	28
4.4	Batch with recirculation loop	30
4.5	Continuous operation with loops in series and parallel modules	31
4.6	Experimental tests on pilots	33
4.7	Membranes cleaning	33
<b>5</b>	<b>Applications of membrane processes</b>	<b>36</b>
5.1	Cross flow filtration against the concurrence	36
5.2	Applications to dairy industry	37
5.3	Other applications to food industry	41
5.4	Medical and biotechnological applications	44
5.5	Process optimization by a technico-economic method	52

www.job.oticon.dk

**oticon**  
PEOPLE FIRST



<b>6</b>	<b>High shear rate dynamic filtration</b>	<b>54</b>
6.1	Principle of dynamic filtration	54
6.2	Industrial systems of dynamic filtration	55
6.3	Systems with vibrating membranes	60
<b>7</b>	<b>Summary</b>	<b>65</b>
<b>8</b>	<b>References</b>	<b>67</b>
	<b>Application exercises</b>	<b>68</b>

**Schlumberger**

# WHY WAIT FOR PROGRESS?

**DARE TO DISCOVER**

Discovery means many different things at Schlumberger. But it's the spirit that unites every single one of us. It doesn't matter whether they join our business, engineering or technology teams, our trainees push boundaries, break new ground and deliver the exceptional. If that excites you, then we want to hear from you.

[careers.slb.com/recentgraduates](https://careers.slb.com/recentgraduates)



# 1 Introduction

The goal of membrane filtration processes is to separate molecules or particles from a solution by a membrane, while limiting its fouling in order to obtain a stable permeate flux during at least 20 hours. Two types of filtration processes are possible, tangential filtration and dead end filtration.

## 1.1 Principles and main parameters of filtration

### 1.1.1 Principle of tangential filtration

The fluid circulates along the membrane from a tank under the action of a pump. Only a part of the fluid, the permeate crosses membrane pores under a pressure difference (transmembrane pressure  $p_{tm}$ ) while the remaining fluid (retentate) is recycled in the tank or discarded. The membrane pores will retain macromolecules or particles of larger size, while microsolute (molecules or particles smaller than pores diameters) will remain in permeate.

### 1.1.2 Principle of dead end filtration

In this case, the fluid must cross a membrane perpendicular to the flow and retentate concentration increases rapidly. Dead end filtration is mostly used with diluted fluids and membrane fouling occurs faster than in tangential filtration.

### 1.1.3 Main parameters of filtration

The filtrate flow rate  $Q_f$  is the flow crossing the membrane, expressed in  $m^3/s$  or in  $lit/hour$  ( $l/h$ ). The permeate flux  $J$  is equal to  $Q_f/S$ , permeate flow per unit area of membrane, generally expressed in  $l/hm^2$ . The mean transmembrane pressure ( $p_{tm}$ ) is given by

$$p_{tm} = (p_a + p_r)/2 - p_p \quad (1)$$

where  $p_a$  is feed pressure,  $p_r$  retentate pressure at membrane exit and  $p_p$  the filtrate pressure. The sieving coefficient  $S$  of membrane is given by

$$S = C_f/C_r \quad (2)$$

where  $C_f$  is the permeate concentration and  $C_r$  that of retentate. The rejection rate is  $R = 1 - S$ ; it is complete if  $S = 0$  or  $R = 1$ . For a membrane with uniform pores, there is no rejection ( $R = 0$ ) for solutes with diameter smaller than pores diameter and  $R$  will be equal to 1 for solutes with larger diameters than pores. In fact, since pores are not uniform, it frequently happens that solutes will only pass through larger pores and their rejection will be partial, with  $R < 1$ .

Membranes are characterized by their hydraulic permeability  $L_p = J / \Delta p$  where  $J$  is the pure water flux. Permeability units are  $\text{m}/(\text{Pa s})$  or  $\text{l}/(\text{hm}^2 \text{ bar})$ . This permeability depends upon diameter and pores density as well as membrane thickness. Membrane resistance  $R_m$  ( $\text{m}^{-1}$ ) is given by  $R_m = (\mu L_p)^{-1}$  and, unlike hydraulic permeability, depends upon fluid viscosity.

## 1.2 Classification of membranes processes

### A. Filtration processes using transmembrane pressure ( $\Delta p$ )

#### 1.2.1 Microfiltration (MF).

These membranes are characterized by their mean pores diameter ( $d_p$ ) ranging from 0.05  $\mu\text{m}$  to 5  $\mu\text{m}$ . The  $\Delta p$  varies from 0.1 to 3 bar as membrane resistance is relatively small. The membrane stops particles, but not molecules, so there is no osmotic pressure. It is possible to use MF in dead end filtration for low concentration fluids.

*Applications:* wine and fruits juice clarification, cell separation, membrane bioreactors. There are many applications in food industry and agronomy, biotechnology and mechanical industry.

*Manufacturers:* France: Orelis, Exekia, Tami.; Germany: Sartorius, Aaflo. USA: Pall, Millipore

#### 1.2.2 Ultrafiltration (UF)

These membranes have smaller pores than microfiltration membranes:  $2 \text{ nm} < d_p < 50 \text{ nm}$  where  $1 \text{ nm} = 10^{-9} \text{ m}$ . They are characterized by their cut-off which is the smallest molar mass of molecules rejected by the membrane which ranges between 2000 and  $10^6$  Dalton (Da). The mean transmembrane pressure higher than in microfiltration varies between 1 and 8 bar, as pores are smaller, and osmotic pressure which decreases effective  $\Delta p$ , is higher.

With proper cut-off, UF membranes can reject macromolecules, proteins, and colloids in addition to particles.

*Applications:* proteins concentration for cheese fabrication, electrophoretic paints recovery in automotive industry.

Osmotic pressure is moderate, as molar concentration is not high, Permeate fluxes are high.

*Manufacturers:* Germany: Schumacher, Akzo. France: TAMI, Exekia. Holland: Xflow; England: PCI. USA: Amicon, Romicon, Koch, Pall, Millipore, Osmonics, Filmtech. Japan: Asahi, Kuraray.



### 1.2.3 Nanofiltration (NF)

Mean pores diameters of these membranes range from 0.5 nm to 2 nm, and their  $p_{tm}$  between 5 and 25 bar because of higher osmotic pressure and membrane resistance. Membranes can reject mean molecules of molar mass  $<2000$  Da. It is an intermediate process between reverse osmosis (RO) and ultrafiltration.

*Applications:* waste water treatment, extraction of small molecules, fractionation.

It is a more recent process as suitable membranes have appeared recently. Permeate fluxes are higher than in RO, but rejection rates are smaller.

### 1.2.4 Reverse osmosis (RO) $d_p < 0.5$ nm $p_{tm}$ : 10–100 bar

These membranes are dense, without pores and reject molecules of molecular mass  $<300$  Da, for example, salt, sugar, etc...

*Applications:* sea water desalination, pure water preparation, treatment of effluents and lactoserum.

*Osmotic pressure:* Osmotic pressure  $\Delta\pi$  is given by

$$\Delta\pi = CRT \quad \text{where } C = \text{molar concentration, } R = 8.31 \text{ (SI units), } T = \text{absolute temperature}$$

$\Delta\pi$  increases with molar concentration, which is the case for small molecules. For example, salt water with 30 g/L of salt has a concentration of 500 mole/m<sup>3</sup> and  $\Delta\pi = 12.5$  bar. If pure water at pressure  $p_1$  is separated from salt water at pressure  $p_2$  by a semi permeable membrane, and if  $p_1 = p_2$ , pure water tends to dilute salt water to adjust these concentrations. There will be no transfer if  $p_2 = p_1 + \Delta\pi$ . Reverse osmosis corresponds to the case where  $p_2 > p_1 + \Delta\pi$  and there will be a salt water transfer towards pure water. In microfiltration, osmotic pressure is negligible, as  $C$  is of the order of 1 mole/m<sup>3</sup>. In ultrafiltration,  $C$  will be of the order of 10 mole/m<sup>3</sup> and  $\Delta\pi$  varies from 0.1 to 1 bar. In nanofiltration,  $C$  is around 100 mole/m<sup>3</sup> and  $\Delta\pi$  varies from 3 to 10 bar. In reverse osmosis,  $\Delta\pi$  varies from 10 to 40 bar. High transmembrane pressures are necessary to obtain important permeate flux in NF and RO. More generally, permeate fluxes decrease with decreasing pore size when changing from microfiltration to reverse osmosis. Solutes cross the membrane by solution-diffusion. Manufacturers of nanofiltration and reverse osmosis are often the same as those of ultrafiltration.

B. Processes based on diffusion or migration.

### 1.2.5 Dialysis

Solute transfer through the membrane is carried out by diffusion and is proportional to concentration difference between both sides of the membrane. Thin ultrafiltration membranes are used to limit the resistance to diffusion. Mass flux is given by  $J_s = k (C_s - C_D)$  where  $k$  is the mass transfer coefficient,  $C_s$  is the solution concentration and  $C_D$  is the concentration of dialysate, which circulates at counter-current in order to maximize transfers.

*Main application:* Hemodialysis (artificial kidney), delivered 3 times a week to about 2 millions of patients worldwide, with a production of  $10^8 \text{m}^2$  of membranes per year. The membrane eliminates water corresponding to the urine not produced by the patient. This process will be described in details in section 5.3.1.

*Manufacturers:* USA: Baxter, Extracorporeal. France: Hospal. Sweden: Gambro. Italy: Sorin. Germany: Fresenius. Japan: Toray, Nipro, Kuraray.

### 1.2.6 Electrodialysis

Electrodialysis membranes are electrically charged and alternatively anionic (+) repelling anions (-) and cationic (-) repelling cations (+) with an electrical field perpendicular to membranes and supplied by two electrodes. Modules are of plane filter type with rectangular parallel membranes. Ion migration takes place in even compartments and pure water is collected in odd compartments. Membranes are made of hydrophobic ion exchange resins with fixed charges ( $\text{PO}_3^{2-}$ ,  $\text{COO}^-$ ,  $\text{NR}_3^+$ ,  $\text{PR}_3^+$ ) separated by a grid.

*Alternative:* bipolar membranes (with positive and negative sides) permitting to separate positive and negative ions and acid and base.

*Applications:* desalination of brackish waters, demineralization and denitrification of drinking water and food products (cheese, lactoserum), metal salts recovery from rinsing water. Waste water treatment, amino acid separation, production of lactic acid by bipolar membrane, extraction of organic ions produced by fermentation.

*Manufacturers:* Eurodia (Tokuyama), Corning EIVS.

### 1.2.7 Pervaporation

In this process, permeate is vaporized under vacuum and recovered by condensation on a cold plate.

*Applications:* fractionation of volatile fluids (water-alcohol), desalcoholisation of wines and beer, dehydration of organic solutions. Concentration of ethanol by hydrophilic membrane (PVA). Extractions of organic compounds in permeate with silicon organophilic membranes.

*Advantage:* this process requires less energy than distillation and is more selective for volatile compounds.

*Manufacturer:* France: Carbone Lorraine, GFT.

An advertisement for Linköping University. On the left, three people (two women and one man) are standing in a modern, brightly lit interior. On the right, there is a dark vertical panel with white text. The text reads: 'PREPARE FOR A LEADING ROLE.' followed by 'English-taught MSc programmes in engineering: Aeronautical, Biomedical, Electronics, Mechanical, Communication systems and Transport systems. No tuition fees.' Below this is the URL '→ liu.se/master' and the Linköping University logo (li.u) with the text 'LINKÖPING UNIVERSITY' to its right.

**PREPARE FOR A LEADING ROLE.**

*English-taught MSc programmes in engineering: Aeronautical, Biomedical, Electronics, Mechanical, Communication systems and Transport systems. No tuition fees.*

→ [liu.se/master](https://liu.se/master)

**li.u** LINKÖPING UNIVERSITY



## 2 Fluid Mechanics

### 2.1 Poiseuille Flow

#### 2.1.1 Plane Channel

Assumption: laminar steady flow, in a long duct,  $L \gg h$  (thickness)

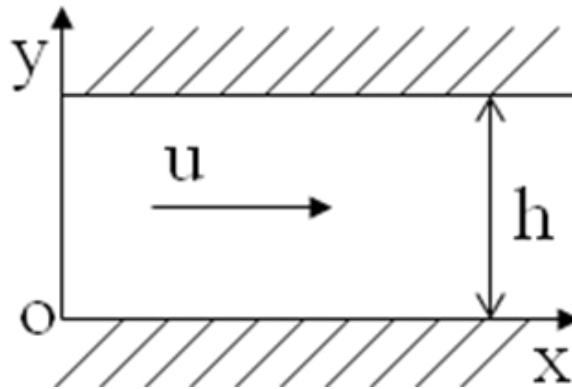


Fig.1. Plane channel of height  $h$

If the Reynolds number  $Re = \rho u h / \mu$  is  $< 2200$ , the velocity profile  $u$  is parabolic and given by

$$u = \frac{1}{2\mu} \frac{dp}{dx} (y^2 - yh) \quad (3a)$$

$$\text{And the flow rate is } Q = \int_0^h b u dy = -bdp/dx (h^3/12\mu) \quad (3b)$$

where  $h$  is the channel height and  $b$  the width.

*Consequence:*  $dp/dx$  is constant and negative

Poiseuille's law for pressure loss along a length  $L$  is

$$\Delta p = -L dp/dx = 12 \mu Q L / (bh^3) \quad (4)$$

$$\text{The shear rate at membrane is, } \gamma_w = du/dy = 6Q / (bh^2) = 6V/h \quad (5)$$

where  $V$  = mean velocity across the section

2.1.2 Cylindrical channel (hollow fibers and tubular membranes) with laminar flow

The velocity profile is also parabolic and given by (6) where  $d = 2R$  is the diameter, and  $\mu$  is the dynamic viscosity

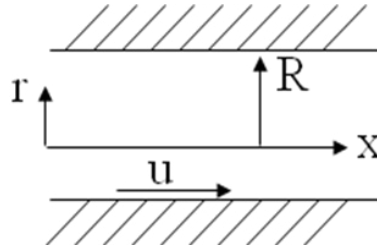


Fig. 2. Cylindrical channel of radius R.

$$u = \frac{1}{2\mu} \frac{dp}{dx} \left( r^2 - \frac{d^2}{4} \right) \tag{6}$$

The flow rate is

$$Q = 2\pi \int_0^R ru \, dy = - (dp/dx) \pi d^4 / (128\mu) \tag{7}$$

The pressure drop is

$$\Delta p = 128\mu QL / (\pi d^4), \tag{8}$$

And the shear rate is given by  $\gamma_w = 32Q / (\pi d^3) = 8v/d$  (9)

2.2 Turbulent flow ( $Re > 2600$ )

A transition regime between laminar and turbulent flows occurs when  $2200 < Re < 2600$ . When the Reynolds number  $\rho u d / \mu$  exceeds 2600, the flow becomes turbulent and the pressure drop  $\Delta p$  is proportional to a friction coefficient  $f$  depending upon  $Re$  and wall roughness and is given by the Moody diagram

For a plane channel of height  $h$   $\Delta p = 1/2 f (L/h) v^2$  (10)

For a cylindrical channel  $\Delta p = 1/2 f (L/d) v^2$  (11)

where  $v$  is the mean velocity across the section. The velocity profile is no longer parabolic, but flat in the channel center, its variation occurs in boundary layers near the walls, which increases the shear rate near the wall for the same flow rate as in laminar.



### 2.3 Laws of tangential filtration

With pure water, the flux  $J$  is proportional to the transmembrane pressure  $p_{tm}$  (law of porous media) and given by

$$J = p_{tm} / (\mu R_m) = L_p p_{tm} \tag{12}$$

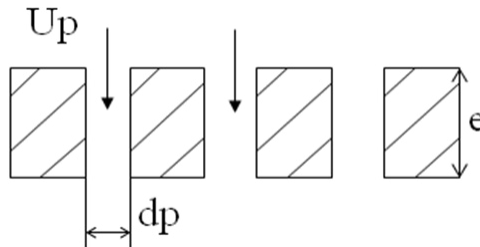


Fig. 3. Schematic of pores in a membrane.

$R_m$  ( $m^{-1}$ ) is the membrane resistance, which depends upon membrane thickness, and pore number per  $cm^2$   $N$  and their diameter  $d_p$  and  $L_p$  is hydraulic permeability.

For an ideal membrane with identical cylindrical pores, Poiseuille law (8) gives

$$R_m = 128e / (\pi d_p^4 N) = 32e / (\epsilon d_p^2) \tag{13}$$

where  $\epsilon$  is the porosity equal to the ratio of pores volume /to total volume and

$$\epsilon = N \pi d_p^2 / 4 \tag{14}$$

### 2.3.2 Solution containing macromolecules or particles suspensions

A layer of rejected molecules or particles deposits on the membrane and creates an additional resistance  $R_c$  which increases with time.

Rejected molecules create an osmotic pressure  $\Delta\pi$  which must be deducted from  $p_{tm}$ .

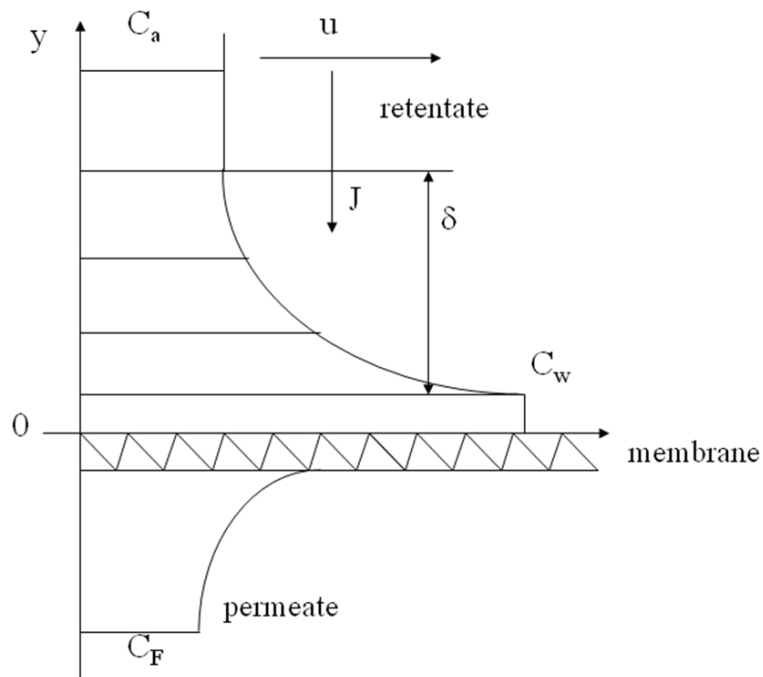
$$J = (p_{tm} - \Delta\pi) / [\mu(R + R_c)] \tag{15}$$

Remarks: 1.  $R_c$  increases also with  $p_{tm}$  and the flux  $J$  is no longer linear with  $p_{tm}$

2. If the temperature  $T$  increases,  $\mu$  decays and  $J$  rises.

### 2.3.3 Concentration polarization

*Definition:* this phenomenon is due to the formation of macromolecules layer which occurs in UF, NF, and RO and limits permeate flux at high  $p_{tm}$ . It can form in less than 1 min on the membrane. This layer may disappear if  $p_{tm}$  is reduced



**Fig.4:** Concentration profiles on each side of membrane in presence of concentration polarization with a boundary layer thickness  $\delta$ .

*Consequences:* This layer disappears if the ptm is cancelled. If the solute is completely rejected by the membrane, the condition of flux equality on each side of the membrane gives

$$JC = -D (dC/dx) \text{ where } D \text{ is the solute diffusion coefficient} \tag{16}$$

By integrating (16) from  $x=0$  where  $C=C_w$  (membrane concentration) to  $x= \delta$  where  $C=C_a$ , concentration at the surface of polarization layer, one obtains for the flux a plateau  $J_{max}$  independent of ptm such that

$$J_{max} = (D/\delta) \ln (C_w/C_a) \quad \text{in case of total rejection} \tag{17}$$

where  $D/\delta$  is the mass transfer coefficient. The macromolecule concentration  $C_w$  at membrane depends of the type of molecule. For instance, for albumin,  $C_w = 300$  g/L.

In case of partial rejection, permeate concentration is  $C_F = SC_w \neq 0$ , (18)

where  $S$  is the sieving coefficient, ratio of concentrations on each side of the membrane. In this case Eq. 16 becomes

$$JC = -D (dC/dx) + S C_w \tag{19}$$

By substituting  $C-C_F$  to  $C$  in (16), one obtains Eq. 20 by integration over  $y$

$$J_{max} = k \ln \frac{C_w - C_F}{C_a - C_F} \tag{20}$$

$J_{max}$  decreases if  $C_a$  increases, but is limited to  $C_a = C_w$ , which can be calculated by measuring  $J$  at various concentrations, and plotting it versus  $C$  in semi log coordinates and extrapolating at  $J=0$  where  $C= C_w$ .

*Demonstration of Eqs. 17 and 20*

*Assumption.* In the boundary layer of thickness  $\delta$ ,  $C = C(y)$  and the solute flux towards membrane is equal to the flux leaving the membrane by diffusion. Eq. 16 is integrated over the thickness of the boundary layer from  $y=0$  to  $y=\delta$ , and from  $C=C_w$  to  $C= C_w - C_a$

$$[Jy]_0^\delta = -D \ln C \Big|_{C_w}^{C_a} \quad \text{or } J = (D/\delta) \ln(C_w/C_a) \tag{21}$$

In case partial rejection, (19) becomes

$$JC = -DdC/dy + JC_F \tag{22}$$

Taking  $C' = C - C_F$  and since  $dC_F/dy = 0$ ,  $dC = dC'$  and (22) gives

$$JC' = -DdC'/dy \tag{23}$$

Hence, by integration we obtain

$$J = k \ln(C'_a / C'_w) \tag{24}$$

*Example of concentration polarization in milk ultrafiltration*

Skim milk was ultrafiltered with a VSEP dynamic filtration module equipped with a vibrating membrane of 50 kDa cut-off at a TMP of 400 kPa. The permeate flux decays linearly in Fig. 5 with the logarithm of the volume reduction ratio ( $VRR = V_0/V$ ) according to (.21), where  $V_0$  is the initial volume and  $V$  the current one. The maximum VRR was determined by extrapolation at  $J=0$  to be 8.66. The maximum VRR for a tubular module with the same membrane was only 5.6 and its permeate flux was lower.



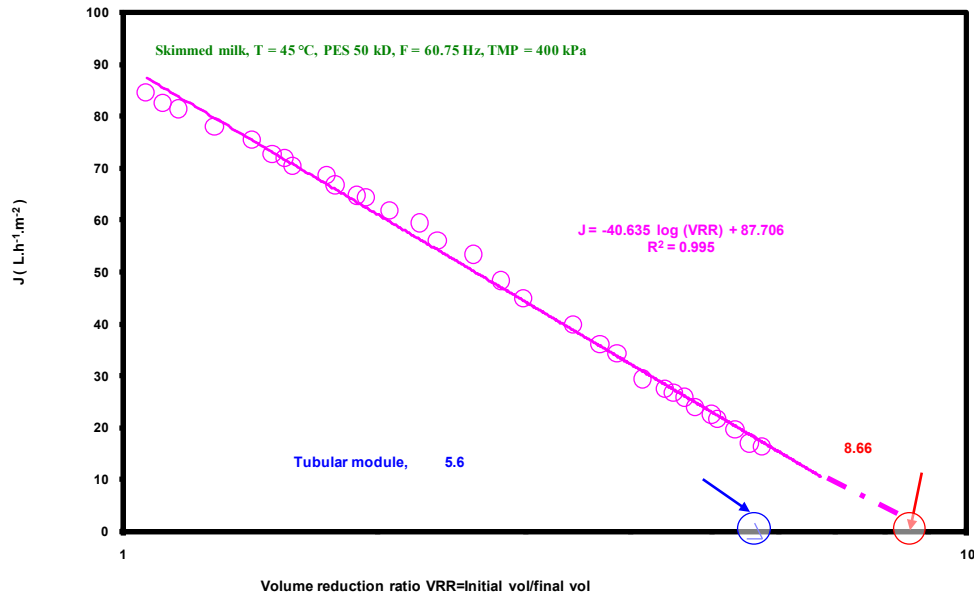
**WE ARE SHAPING MOBILITY FOR TOMORROW**

How will people travel in the future, and how will goods be transported? What resources will we use, and how many will we need? The passenger and freight traffic sector is developing rapidly, and we provide the impetus for innovation and movement. We develop components and systems for internal combustion engines that operate more cleanly and more efficiently than ever before. We are also pushing forward technologies that are bringing hybrid vehicles and alternative drives into a new dimension – for private, corporate, and public use. The challenges are great. We deliver the solutions and offer challenging jobs.

[www.schaeffler.com/careers](http://www.schaeffler.com/careers)

**SCHAEFFLER**

 [Click on the ad to read more](#)



**Fig. 5.** Variation of permeate flux of a VSEP vibrating module with VRR during concentration of milk proteins by UF at 50kDa. Comparison with a tubular module.

*Apparent rejection rate R'*

The only concentrations easily accessible are those at the module inlet ( $C_e$ ) or those of permeate ( $C_F$ ) and retentate outlet. It is then practical to define apparent rejection rates  $R'$  and sieving coefficients  $S'$  based on concentrations  $C_e$  and  $C_F$

$$R' = (C_e - C_F) / C_e \tag{25a}$$

and  $S' = C_F / C_e = 1 - R'$  (25b)

2.3.4 Calculation of mass transfer coefficient  $k$

This coefficient permit to calculate permeate fluxes in various situations, using the Sherwood number  $Sh = kd_h / D$ , where  $d_h$  is the hydraulic diameter  $= 4\Sigma / P$ ,  $\Sigma$  is the cross section area,  $P$  the perimeter. Another parameter, the Graetz number is  $G = vd_h^2 / (LD)$  where  $L$  is the membrane length and  $D$  the diffusion coefficient  $d$ . For a circular tube of diameter  $d$ , the section will be  $\Sigma = \pi d^2 / 4$ , the perimeter  $P = \pi d$ , and  $d_h = d$ , as expected.

For a plane filter,  $\Sigma = bh$ ,  $P = 2(b + h)$ , where  $b = \text{width}$ ,  $h = \text{thickness} \ll b$ ,  $d_h = 2bh / (b + h) \approx 2h$

In the case of laminar regime, with a Reynolds number  $< 2200$ , corresponding to hollow fibers or plane filters, Blatt et al [1] have shown that, in concentration polarization regime, a relation between Sherwood and Graetz numbers exists



a) In the case of tubular membranes and hollow fibers, this relation is, if  $G > 100$

$$Sh = 1.62 G^{1/3}, \tag{26}$$

which yields (27)

$$k = \frac{DS}{d} = 1.62 \frac{D}{d} \left(\frac{Vd^2}{LD}\right)^{1/3} = 0.81 \left(\frac{\gamma_w D^2}{L}\right)^{1/3}$$

with  $\gamma_w = 32Q / (\pi d^3 N) = 8v/d$ , if  $N$  is the number of fibers in parallel and by using (21) and (27), the permeate flux will be given by

$$J = 0.81 (\gamma_w D^2 / L)^{1/3} \ln (C_w / C_a) \tag{28}$$

The permeate flux  $Q_p$  with  $S = \pi d L N$ , where  $N$  is the fibers, number will be

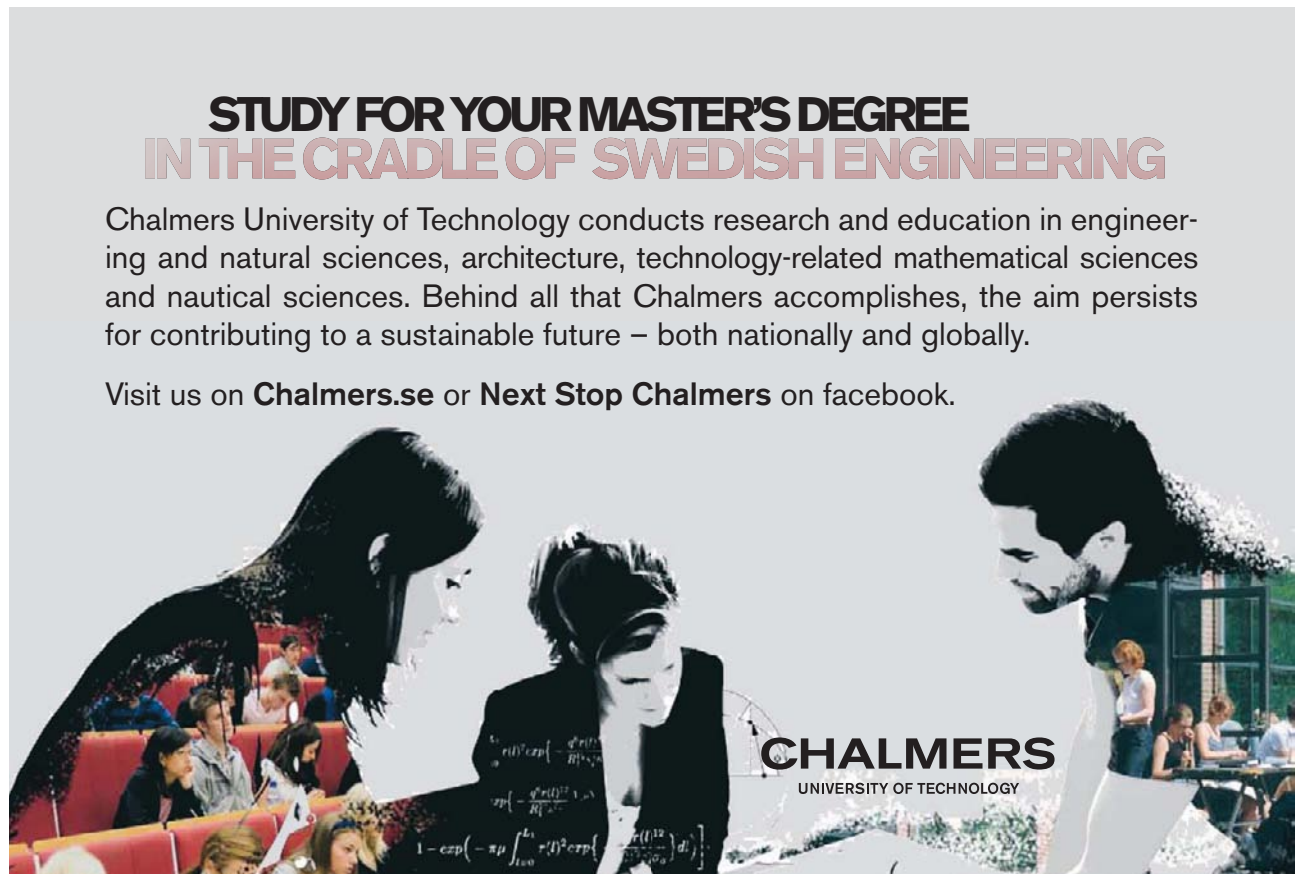
$$Q_F = JS = 2.56 (SD/d)^{2/3} Q^{1/3} \ln (C_w / C_a) \tag{29}$$

The filtration flow is independent from diameter and only depends upon the total length of fibers or tubular membranes  $NL$ . To increase permeate flux, it is necessary to augment the shear rate.

## STUDY FOR YOUR MASTER'S DEGREE IN THE CRADLE OF SWEDISH ENGINEERING

Chalmers University of Technology conducts research and education in engineering and natural sciences, architecture, technology-related mathematical sciences and nautical sciences. Behind all that Chalmers accomplishes, the aim persists for contributing to a sustainable future – both nationally and globally.

Visit us on [Chalmers.se](http://Chalmers.se) or [Next Stop Chalmers](#) on facebook.





b) In the case of a plane filter of width  $b$  and  $n$  compartments of thickness  $h$ , the relation becomes if  $G > 330$ :

$$Sh = 2.2 G^{1/3} \text{ with } G = 4vh^2 / (DL) \tag{30}$$

$$\text{and } k = D Sh / (2h) = 1.1(D/h) (4vh^2/LD)^{1/3} = 0.96(\gamma_w D^2/L)^{1/3} \tag{31}$$

with  $\gamma_w = 6Q / (bh^2n) = 6v/h$ , hence

$$J = 0.96 (\gamma_w D^2/L)^{1/3} \ln (C_w/C_a) \tag{32}$$

The permeate flow rate for a plane filter with  $n$  compartments, and  $S = 2nbL$  becomes

$$Q_F = 2.2(SD/h)^{2/3} Q^{1/3} \ln (C_w/C_a) \tag{33}$$

*Remarks:* For both geometries,  $J$  rises if  $\gamma_w$  increases and  $L$  decreases. The permeate flux is proportional to  $Q^{1/3}$  and  $S^{2/3}$ , and decreases along the membrane as the flow rate  $Q$ . In order to use these equations, one must know the diffusion coefficient  $D$  which is generally available for usual molecules.

In the case of turbulent regime, which occurs in tubular membranes, the empirical correlation of Chilton-Colburn gives

$$Sh = 0.04 Re^{3/4} Sc^{1/3} \tag{34}$$

And the mass transfer coefficient  $k_t$  becomes

$$k_t = 0.04 D^{2/3} v^{3/4} / (d^{1/4} \nu^{0.42}) \tag{35}$$

Another correlation that of Harriot and Hamilton, writes

$$Sh_t = 0.0096 Re^{0.91} Sc^{0.35} \tag{36}$$

with  $Re = vd/\nu$   $Sc = \text{Schmidt } Nb = \nu/D$ , and gives

$$k_t = \frac{0.0096 D^{2/3} \nu^{0.91}}{d^{0.09} \nu^{0.57}} \tag{37}$$

*Remarks:* The 2<sup>nd</sup> correlation (36) gives more importance to the velocity than the 1<sup>st</sup> (34) as its exponent is higher.  $J$  increases faster with velocity than in laminar regime; it is independent from  $L$  and depends little from  $d$ . Eqs. 35 and 36 are only approximate and it is preferable to find empirical relations from experimental tests, of the type  $J = K v^n$  where  $n$  varies generally from 0.5 to 1.

For tubular membranes, one finds, with (31) and (35)

$$k_t / k = 0.00593 \text{ Re}^{0.57} (L/d)^{0.33} = 2.8 \tag{38}$$

for  $\text{Re} = 2000$  and  $L/d = 200$ , which means that the laminar-turbulent transition augments the flux. It is then worthwhile to introduce turbulence promoters (obstacles inside the membranes) which increase turbulence inside plane filters and tubular membranes.

SI and traditional units relevant to membrane filtration are listed in Table 1

Parameter	SI Unit	Traditionnal unit	Parameter	SI Unit	Traditionnal unit
Length	Meter, m	$1 \mu = 10^{-6} \text{m}$	Dynamic viscosity $\mu$	Pa s	$1 \text{ cp} = 10^{-3} \text{Pa s}$ Water at $20^\circ = 1 \text{ cp}$
Force	Newton, N	$1 \text{ kg} = 9.8 \text{ Newton}$	Kinematic viscosity $\nu$	$\text{m}^2/\text{s}$	$1 \text{ cs} = 10^{-4} \text{ m}^2/\text{s}$ Water at $20^\circ : 1 \text{ cs}$
Pressure	Pascal Pa	$1 \text{ bar} = 10^5 \text{ Pa}$	Flow rate	$\text{m}^3/\text{s}$	$1 \text{ m}^3/\text{h} = 0.27 \cdot 10^{-3} \text{ m}^3/\text{s}$
Power	Watt, W	$1 \text{ CV} = 736 \text{ W}$	Flux, velocity	$\text{m}/\text{s}$	$1 \text{ l}/(\text{hm}^2) = 0.27 \cdot 10^{-6} \text{ m}/\text{s}$

**Table 1.** Usual units relative to membrane processes parameters.

**Scholarships**

**Open your mind to new opportunities**

With 31,000 students, Linnaeus University is one of the larger universities in Sweden. We are a modern university, known for our strong international profile. Every year more than 1,600 international students from all over the world choose to enjoy the friendly atmosphere and active student life at Linnaeus University. Welcome to join us!

**Linnaeus University**  
Sweden

**lnu.se**

**Bachelor programmes in**  
Business & Economics | Computer Science/IT | Design | Mathematics

**Master programmes in**  
Business & Economics | Behavioural Sciences | Computer Science/IT | Cultural Studies & Social Sciences | Design | Mathematics | Natural Sciences | Technology & Engineering

**Summer Academy courses**



# 3 Various types of membranes and modules

## 3.1 Organic membranes (cellulosic and polymeric)

These membranes are available as plane films and are used in microfiltration and ultrafiltration. Hollow fibers with internal diameter of 0.5 to 2 mm, are used in microfiltration, ultrafiltration, nanofiltration and reverse osmosis.

Examples: cellulose acetate, polysulfone, polyacrylonitrile, polyamide, polypropylene, cellulose acetate, teflon, polyethersulfone (PES).

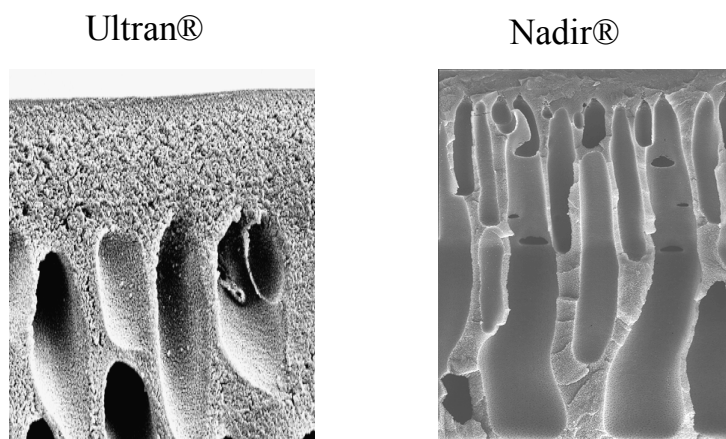
*Membranes characteristics:* they are thin, with thickness from 10  $\mu\text{m}$  (symmetrical membranes) to 200  $\mu\text{m}$  (asymmetric or composites), available in the entire range of pores size from microfiltration to reverse osmosis. Asymmetric membranes contain a macroporous sublayer supporting the thin membrane.

*Advantages:* Their cost is moderate, from 30 €/m<sup>2</sup> for spiral modules for reverse osmosis to 800 €/m<sup>2</sup> for small plane cartridges for microfiltration. They are available in all configurations, tubular, hollow fibers, plane, and offer a large choice of cut-off and pores diameters.

*Drawbacks:* They do not allow steam sterilization, except for PVDF membrane. Their maximum pressure is low, 7–8 bars and their mean lifetime is 1 to 2 years.

### *Examples of ultrafiltration membranes*

Pictures of Nadir® membranes PES 10, 50, 150 kDa and Ultrán® PES 300 and 500 kDa are presented in Fig. 6.



**Fig 6.** Examples of pores of ultrafiltration membranes

## 3.2 Mineral membranes

Most of them are made in ceramic, but they also exist in zirconium oxide, carbon, or porous glass. Their thickness ranges from 2 to 3 mm, and they are mainly available in tubular and multichannel types.

*Advantages:* They are strong and can sustain extreme pH, chemical products, high temperatures and pressures and their lifetime exceeds 3 years. They also have high permeabilities. Membrane cleaning can be made in situ by retrofiltration. They can be steam sterilized.

*Drawbacks:* Their price is generally high and their dead volume is important except for small TAMI flat cartridges. Some membranes are available in nanofiltration.

*Main manufacturers:* TAMI Co (Nyons, France) commercializes tubular and multichannel ceramic membranes from 10 to 43 mm of outer diameter. Some have single circular channels, but most membranes are multichannel of various cross sections to maximize membrane area and increase permeate flux for a given module diameter. Membralox Society (in Tarbes France, but purchased by US Filter) manufactures ceramic modules with hexagonal section containing 19 circular channels.

## 3.3 Various types of modules

### 3.3.1 Plane modules

*Manufacturers:* France; Orelis. USA: Millipore. UK: Dorr Olliver. Germany: Sartorius. DDS, DK.

*Principle:* they contain parallel compartments each composed of two parallel membranes supported by plates with grooves separated by gaskets.

*Advantages:* they are easy to take apart to facilitate cleaning and membranes exchange and have small dead volumes. The thickness of liquid veins is adjusted by gaskets. Plastic plates can be reused.

*Drawbacks:* they are difficult to clean without been taken apart, and not available with mineral membranes.

### 3.3.2 Plane cartridges

*Manufacturers:* USA: Millipore. France: Orelis, TAMI.

*Principle:* they are small plane filters consisting in several compartments assembled by glue, several cartridges are inserted inside a box. The presence of holes in plates permits fluid circulation.

*Advantages:* their dead volume is very small, they are compact, with adjustable area, and operate with small feed flows.



*Drawbacks:* they are costly, difficult to clean, because of glued membranes. They are mostly used in laboratories and in pharmaceutical industry. TAMI cartridges are the only ones with ceramic membranes.

### 3.3.3 Spiral wound modules with organic membranes

*Manufacturers:* US: Millipore, Koch, Osmonics.

*Principle:* these modules are frequently used in industry, as they offer large membrane areas, and consist of a membrane, a grid and a plastic foil rolled around a tube which evacuates the permeate. These components are placed inside a rigid cylinder to sustain large pressures. They are much used in ultrafiltration, nanofiltration and reverse osmosis for treatment of effluents and desalination of salt water.

*Advantages:* their cost is small (30\$/m<sup>2</sup> for desalination of salt water) and their surface/volume ratio is high.

*Drawbacks:* they are subject to fouling, their performances are difficult to control, and their cleaning is difficult.

### 3.3.4 Tubular modules

They are available with organic or mineral membranes (multi-channels), with inner diameters from 2.5 mm to 30 mm.

*Manufacturers:* USA: Koch, PCI (organic), Millipore . France: TAMI (ceramic), Orelis, SCT. Germany: Schumacher, Aaflo, Wesfalia Separator.

*Advantages:* They are well suited to highly charged or very viscous liquids and are easy to clean.

# 4 Modelisation of membrane circuits

## 4.1 Conservation of volume and mass flow rates

At a bifurcation

Volume flow rate:  $Q_3 = Q_1 + Q_2$  (39)

Mass flow rate:  $Q_3 C_3 = Q_2 C_2 + Q_1 C_1$  (40)

where C is solute concentration

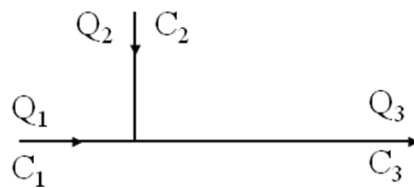


Fig. 7. Conservation of volume and mass flow rates at a bifurcation

**e-learning for kids**

- The number 1 MOOC for Primary Education
- Free Digital Learning for Children 5-12
- 15 Million Children Reached

**About e-Learning for Kids** Established in 2004, e-Learning for Kids is a global nonprofit foundation dedicated to fun and free learning on the Internet for children ages 5 - 12 with courses in math, science, language arts, computers, health and environmental skills. Since 2005, more than 15 million children in over 190 countries have benefitted from eLessons provided by EFK! An all-volunteer staff consists of education and e-learning experts and business professionals from around the world committed to making difference. eLearning for Kids is actively seeking funding, volunteers, sponsors and courseware developers; get involved! For more information, please visit [www.e-learningforkids.org](http://www.e-learningforkids.org).



In a filtration module

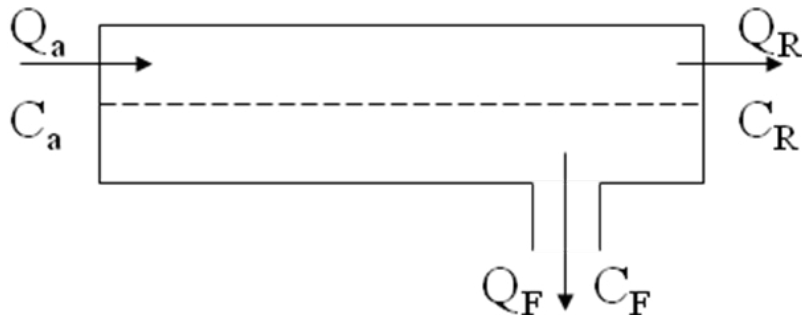


Fig.8. Conservation of volume and mass flow rates in a flat module

Volume flow rate  $Q_R = Q_a - Q_F, C_F = S' C_a$  (41)

Mass flow rate  $Q_a C_a = Q_R C_R + Q_F C_F = Q_R C_R + Q_F S' C_a$  (42)

Hence

$$C_R = \frac{Ca(Q_a - S'Q_F)}{Q_a - Q_F}$$
 (43)

If  $S'=1$ , there is no rejection  $C_R = C_a$  (44)

#### 4.2 Single batch filtration circuit

Fluid conservation:  $dV/dt = -Q_p$  (45)

Solute conservation:  $d(VC)/dt = -QC$  (46)

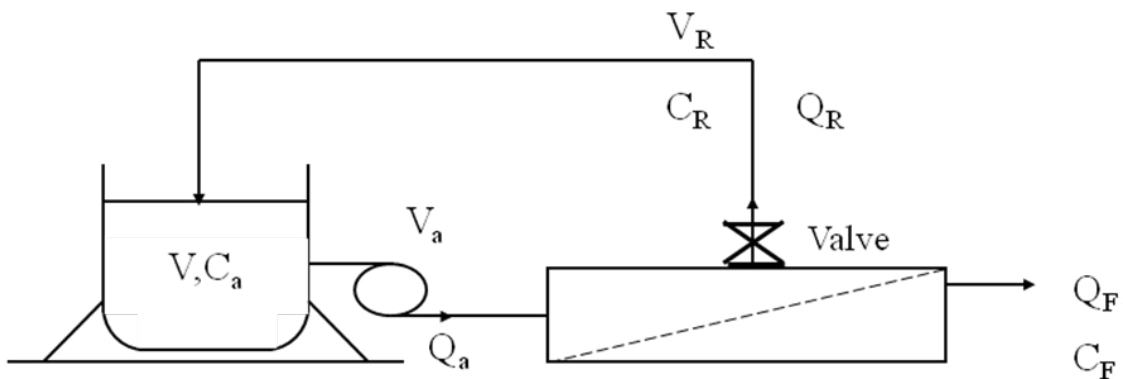


Fig. 9. Schematic of filtration bench in single batch

*Assumption:* The retentate volume in circuit is much smaller than the tank volume. The retentate is recirculated by a pump into the feed tank, while permeate is collected. This type of bench is used for pilots and small units.

*Nomenclature*

$V_R$  = Retentate dead volume,  $V$  = fluid volume in tank

$V_a$  = feed dead volume

$C_a, C_F, C_R$  = feed, filtrate, retentate concentrations increase with time

*Advantages:* This bench permits to concentrate solutions to high ratios, due to recirculation.

*Drawback:* the recirculation into the tank requires a pump with high flow rate which must be volumetric to keep flow rate independent from ptm.

4.2.1 Modelisation of single batch with partial rejection

Fluid:  $dV/dt = -Q_F$  (47)

Solute:  $d(Vc_a)/dt = -Q_F C_F = -S' C_a Q_F$  (48) with  $C_F = S' C_a$

Subtracting Eq.47x $C_a$  from Eq.48 gives

$$VdC_a/dt = (S' - 1)C_a dV/dt$$
 (49)

Hence if  $S' = \text{const}$

$$C_a V^{1-S'} = \text{Const} = C_{a0} V_0^{1-S'}$$
 (50)

even if  $Q_F$  is time dependent

If  $S' = 1$ , no rejection,  $C_a = C_{a0}$ , and there is no concentration

If  $S' < 1$ ,  $C_a$  increases when the tank gets emptied

If  $Q_F = \text{Const}$  (stabilized fouling)  $V = V_0 - Q_F t$  (51)

$$\frac{C_a}{C_{a0}} = \frac{1}{(1 - Q_F t / V_0)^{1-S'}}$$
 (52)

As  $VRR = V_0/V$ , we obtain

$$C_a/C_{a0} = (VRR)^{R'}$$
 where  $R' = 1 - C_F/C_a$  is apparent rejection rate (53)

And, if  $R' = 1$ , we have

$$C_a/C_0 = VRR \tag{54}$$

While with  $R' < 1$  partial rejection,  $C_a/C_0$  will be less than VRR


The recovery factor in retentate  $r_R$  is given by

$$r_R = C_a V / (C_0 V_0) = (VRR)^{R'-1} < 1 \text{ for partial rejection} \tag{55}$$

$$= 1 \text{ for total rejection}$$

### 4.3 Diafiltration in single batch

The goal of diafiltration is to eliminate microsolute without concentrating the rejected solute in retentate. The tank receives a water flow rate  $Q_d = Q_f$ . Thus, fluid volume in circuit remains constant and rejected solute concentration does not change.

.....Alcatel-Lucent 

[www.alcatel-lucent.com/careers](http://www.alcatel-lucent.com/careers)

What if you could build your future and create the future?

One generation's transformation is the next's status quo. In the near future, people may soon think it's strange that devices ever had to be "plugged in." To obtain that status, there needs to be "The Shift".



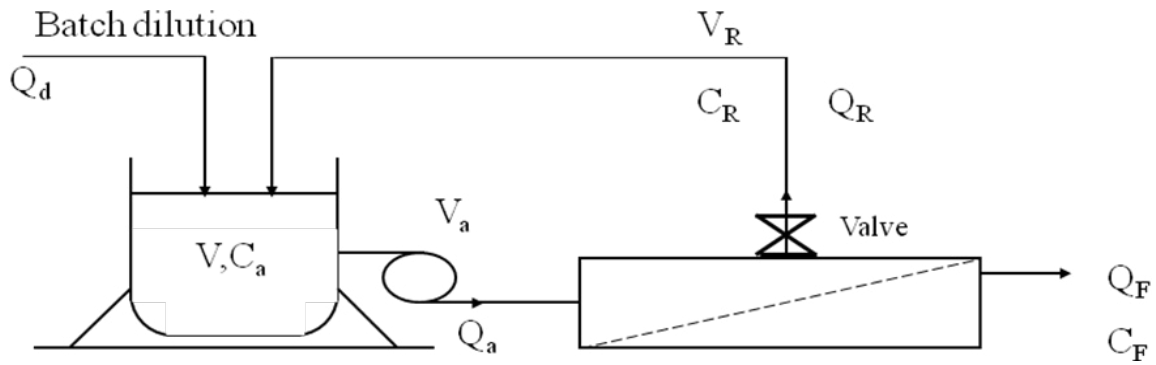


Fig.10. Diafiltration circuit with water feeding in the tank to diluate retentate.

*Modelisation of diafiltration*

$$dV/dt = Q_d - Q_F = 0 \quad \text{hence } V = V_0 \tag{56}$$

Mass conservation on tank gives

$$V_0 dC_a/dt = -Q_F C_F = -Q_F (1 - R') C_a \tag{57}$$

If  $Q_F = \text{const}$ , and  $V_F$  is permeate volume, integration of (57) over time gives

$$C_a = C_0 \exp[-Q_F (1 - R') t / V_0] = C_0 \exp[-V_F / V_0] \tag{58}$$

With partial rejection ( $R' < 1$ ),  $C_a$  decays exponentially while, if  $R' = 1$ ,  $C_a = C_{a0}$  and the retentate does not concentrate.

Example: if  $R' = 1$ ,  $V_F = V_0$ ,  $C_a / C_0 = 0.36$ , 64% of microsolute has been eliminated. To eliminate 99% requires a filtration volume  $V_F = 4.6 V_0$ , according to (58).

*Optimisation of a diafiltration*

If the rejected solute is concentrated before diafiltration, this reduces the initial volume  $V_0$ , but also the flux given by  $J = k \ln(C_w / C)$ . It can be shown that diafiltration will be shorter if the fluid is concentrated until the optimal concentration  $C_{opt} = C_w / 2.73$ .



### 4.4 Batch with recirculation loop

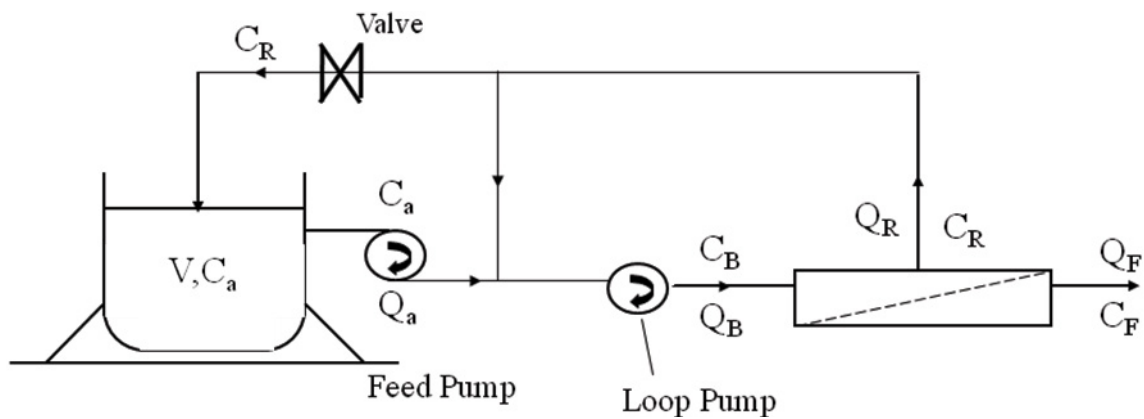


Fig. 11. Bench with filtration module in recirculation loop

*Advantage:* by recirculating the retentate through the filter in the loop with a 2<sup>nd</sup> pump, fluid velocity  $v$  is increased along the membrane. The loop pump does not need to be volumetric as it only needs to overcome the pressure loss along the membrane. The feed pump, which supplies the loop pressure, will have a smaller flow rate than the loop pump, which saves energy. Loop concentration will be higher than the tank one and the rejection rate will be decreased.

*Drawback:* two pumps are necessary and concentration is higher in filter than in tank.

*Modelisation of circuit with recirculation loop*

$$\text{Volume conservation: } dV/dt = -Q_F \quad Q_R = Q_B - Q_F \quad Q_c = Q_a - Q_F \quad (59)$$

Solute conservation writes

$$\text{On system: } d(V C_a)/dt = -Q_F C_F = -Q_F C_B (1-R') \text{ avec } C_F = C_B (1-R') \quad (60)$$

$$\text{On filter: } C_B Q_B = C_F Q_F + C_R (Q_B - Q_F) \quad (61)$$

$$\text{On loop } Q_a C_a = Q_F C_F + C_R (Q_a - Q_F) \quad (62)$$

If  $Q_B \gg Q_F$ ,  $C_B \approx C_R$  fluid in filter on retentate side is weakly concentrated. With total rejection

$C_F = 0$  and (61) gives

$$C_R/C_a = Q_a/(Q_a - Q_F) \quad (63)$$

This ratio may be high if  $Q_a$  is close to  $Q_F$ .

4.5 Continuous operation with loops in series and parallel modules

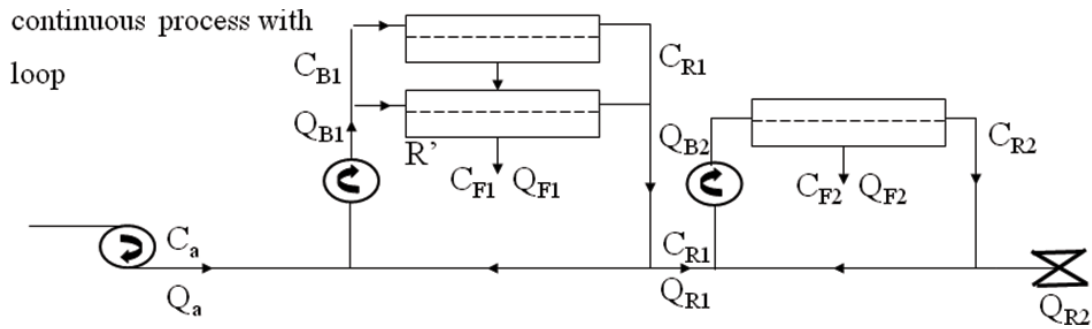


Fig. 12. Continuous process with recirculation loops

The system, presented in Fig.12, is fed continuously by a pump. Recirculation takes place in a series of loops. The VRR will not vary with time, but with the number of loops. Several steps are necessary to reach a high VRR, which requires a large membrane area and the system will be more complex.

*Advantage:* A feed tank is not necessary, and this circuit will consume less energy than a batch system with a tank. This process is used in plants with a large production.

*Drawback:* Membrane area is higher than in previous systems.



## 4.5.1 Modelisation of continuous operation

*Case of total rejection*1<sup>st</sup> stage:

Flow rate conservation writes

$$Q_a = Q_{R1} + Q_{F1} \quad (64)$$

And solute conservation is

$$Q_a C_a = Q_{R1} C_{R1} \quad (65)$$

The concentration factor is given by

$$C_{R1}/C_a = Q_a / (Q_a - Q_{F1}) \quad (66)$$

2<sup>nd</sup> stage:

The concentration factor between 2 stages is:

$$C_{R2}/C_{R1} = Q_{R1} / (Q_{R1} - Q_{F2}) \quad (67)$$

So, the global concentration factor is

$$C_{R2}/C_a = Q_a / (Q_a - Q_{F1} - Q_{F2}) \quad (68)$$

In the case of several stages in series, the global concentration factor becomes

$$C_{Rf}/C_a = Q_a / (Q_a - \sum Q_{F_i}) \quad (69)$$

*Case of partial rejection*

Permeate concentration is

$$C_F = C_{R1} (1 - R') \quad (70a)$$

And mass balance on 1<sup>st</sup> stage becomes

$$Q_a C_a = Q_{R1} C_{R1} + Q_{F1} (1 - R') C_{R1} \quad (70b)$$

By solving Eq. 70 for  $C_{R1}/C_a$  with (66), one finds

$$C_{R1}/C_a = Q_a / (Q_a - R'Q_{F1}) \quad (71)$$

The concentration factor is smaller than with total rejection.

## 4.6 Experimental tests on pilots

### *Precautions*

It is necessary to use a pilot with a complete instrumentation and pressure transducers before and after the filter. Pumps must be volumetric.

It is preferable to use the same filter type (tubular membrane, hollow fibers or plane module) as in the final system, in order to get a permeate flux representative of the industrial module.

### *Tests procedure*

One can start with tests at constant concentration with full recycling of permeate and retentate on the tank. The pressure rise progressively during starting conditions and the flux  $J(t)$  and the pressure drops at constant ptm are measured for various fluid velocities. Then fluxes are measured at various ptm in stabilized conditions. Different membranes must be tested for screening. Concentration tests are carried out without permeate recycling at optimal ptm. The maximum VRR is given by

$$VRR_{\max} = V_0 / V_{\text{dead}} \quad (72)$$

where  $V_0$  is the initial fluid volume and  $V_{\text{dead}}$  the dead volume of pipes.

## 4.7 Membranes cleaning

A periodic cleaning is generally necessary to eliminate fouling layers and pores plugging in order to retain membranes performances. Membranes used in the food industry must be cleaned every day. This cleaning must be followed by rinsing with soft water demineralized by ion exchanger resins to eliminate traces of cleaning products. More generally, cleaning agents must eliminate organic compounds, micro-organisms and dissolve mineral salts.

4.7.1 Deposits composition

They include mineral salts (calcium carbonate, sulfates), hydroxides, biological films and organic matters (proteins, pectins) which constitute the main cause of fouling in, biological and food applications. Proteins must be eliminated with alkaline detergents as they are compatible with mineral membranes and a majority of polymeric membranes.

Modes of chemical cleaning vary according to deposits composition

**Chemical Agents**

- ❖ nitric acid, 5g/L, 70°
- ❖ basic (soda NaOH, 4 g/L, N/10, 65°)
- ❖ oxidant solutions, chloride
- ❖ detergents (enzymes 1%+rinsing)


**deposits**


- carbonated deposits, hydroxides
- organic deposits
- biological deposits
- organic deposits of proteins

*Hydrodynamic cleanings*

- ❖ counter-current cleaning. The permeate valve is shut and the flow direction in module is reversed.
- ❖ retrofiltration. The permeate circuit is briefly pressurized to reverse filtration direction through the pores, into the retentate.
- ❖ sair retrofiltrations (Memcor process). The permeate circulates inside hollow fibers and is pressurized by compressed air, while retentate circulates between hollow fibers.

SIMPLY CLEVER

**ŠKODA**  




WE WILL TURN YOUR CV  
INTO AN OPPORTUNITY  
OF A LIFETIME

Do you like cars? Would you like to be a part of a successful brand?  
As a constructor at ŠKODA AUTO you will put great things in motion. Things that will ease everyday lives of people all around Send us your CV. We will give it an entirely new new dimension.

Send us your CV on  
[www.employerforlife.com](http://www.employerforlife.com)



Cleaning efficiency can be evaluated by measuring the hydraulic permeability of membranes with pure water after each cleaning. This permits to calculate the membrane resistance  $R_m$  defined by (12). Fouling resistance  $R_c$  defined by (13) can then be calculated from permeate flux of filtered solution. This resistance can be divided into an irreversible part  $R_{ir}$  which remains after cleaning, and a reversible one  $R_r$  removed by cleaning. But the absence of chemical contamination by cleaning products and by living micro-organisms must be verified.

#### *Fouling mechanisms*

Membrane fouling reduces permeate flux with time, fast at first, as the reduction is due to the formation of a concentration polarization layer. Later, the reduction becomes slow and irreversible. Surface fouling is due to rejected particles forming a cake, deep fouling occurs by adsorption of particles or solutes which shrinks pores diameters.

Variation of permeate flux with time is measured at constant concentration, various circulation speeds of the fluid and different pressure rises. Internal fouling of pores can be evaluated by electronic microscopy. Biologic fouling caused by microorganisms is a major challenge in many processes. Its control requires an analysis of the biofilm deposited on the membrane, that can be made with confocal laser microscopy and image analysis. Biofilms can form during treatment of effluents containing inorganics salts with limited solubility, colloids and macromolecular organic compounds by nanofiltration and reverse osmosis. These biofilms accelerate permeate flux decline.

#### *Enzymatic cleaning*

This cleaning permits to improve the efficiency of fouling removal when chemical treatments are not adapted. It consumes less energy than chemical treatments, but enzymatic detergents are more expensive and their action is slower. Enzymatic cleaning is frequently associated with alkaline and acid treatments. Most used enzymes are modified proteases (alcalase, durazyme, esperase, savinase) with pH from 7 to 11. This cleaning efficiently decreases the hydraulic resistance, but its disinfection may be insufficient as tension-active agents fixed on membrane may consume a good part of des disinfectants and chemical agents. Liquid enzymatic detergents actually seem to be the best, as their activity is conserved during storage.



# 5 Applications of membrane processes

## 5.1 Cross flow filtration against the concurrence

Microfiltration is frequently used for clarification of fluids in the food industry and as pretreatment before ultrafiltration or nanofiltration. Competitive processes are centrifugation, adsorption on kieselguhr, dead end filtration and decantation.

Ultrafiltration is well suited for concentration and fractionation of various components. Its competitors are distillation and evaporation.

Nanofiltration and reverse osmosis are used for waste water treatment by elimination of small molecules such as ions and lactose in dairy industry and for desalination of salt water by reverse osmosis. Their main competitor is chromatography.



Develop the tools we need for Life Science  
Masters Degree in Bioinformatics

A graphic for a bioinformatics advertisement. It features a golden, metallic-looking face of a woman's head in the center, surrounded by a background of DNA base pairs (A, T, C, G) in various colors (gold, orange, yellow). The text is overlaid on the right side of the face.

Bioinformatics is the exciting field where biology, computer science, and mathematics meet.

We solve problems from biology and medicine using methods and tools from computer science and mathematics.

Read more about this and our other international masters degree programmes at [www.uu.se/master](http://www.uu.se/master)



*Advantages of membranes relatively to traditional processes*

Membrane processes are continuous, and are easily automatized. They can operate during long periods without regeneration (24 hr in food industry). They offer better quality products, especially concerning water obtained from effluents. They permit the recovery of various constituents in permeate and retentate.

## 5.2 Applications to dairy industry

World dairy industry is one of major membrane consumers for lactoserum treatment and proteins valorization. Three membranes generations have been or are still utilized.

- Cellulose acetate is no longer present because of its limitations in PH from 3 to 8 and in temperature with a maximum of 50°C.
- Polysulfone manufactured by Amicon, Romicon and Techsep can support PH from 1 to 12, and a 75°C temperature, but does not resist well to chlorine disinfectants.
- Mineral membranes manufactured by TAMI and Pall (Membralox) can be steam-sterilized.

### A. Microfiltration

#### 5.2.1 Milk debacterisation by membrane (cold pasteurization)

The goal is to retain bacterias by the membrane while transmitting all proteins. A problem is that casein micelles are retained even with 0.8  $\mu\text{m}$  pores and form a cake which rejects proteins. An alternative is the Bactocatch process of Alfa Laval using mineral membranes of 1.4 to 0.8  $\mu\text{m}$  pores and a high fluid velocity of 8 m /s. To avoid a high inlet ptm, the permeate is recycled by a pump in the same direction as the retentate, that permits to keep a uniform ptm of 0.4 bar. This process is efficient, but energy cost is high.

#### 5.2.2 Casein extraction for cheese products

Casein micelles are retained in retentate, while soluble proteins cross the membrane into permeate. The process starts with a 1<sup>st</sup> microfiltration in order to concentrate the retentate three times with microfiltration membranes of 0.1 to 0.2  $\mu\text{m}$  pores, followed by diafiltration until a VRR of 5. The purified micelles suspension is then dried and called native phospho-caseinate.

#### 5.2.3 Selective proteins separation

Casein is separated from soluble proteins  $\alpha\text{La}$  and  $\beta\text{Lg}$  in order to make cheeses from UHT milk. It is concentrated until VRR =3. It is also possible to prepare milk with a reduced soluble proteins /casein ratio, after retaining micellar caseins by microfiltration. This ratio is reduced by a diafiltration diluting soluble proteins in permeate.

## B. Ultrafiltration:

### 5.2.4 Milk proteins standardisation

In order to compensate seasonal variations of milk proteins concentration which can perturb cheese fabrication in plants, a part of production is concentrated to a VRR of 2 to 4 and is mixed to the initial milk according to the needs to obtain the selected proteins concentration (from 35 to 45 g/L). This standardization permits to increase cheese proteins content and consequently to reduce the coagulant enzyme quantity, while insuring a stronger gel. Brewing and casting will be easier.

### 5.2.5 Cheese Fabrication

The draining of traditional process is replaced by an ultrafiltration of proteins with a 10–15 kDa cut-off membrane. This process, called MMV from the initials of its inventors (Maubois et al) has been implemented and patented at INRA (National Institute of Agronomic Research) of Rennes. The ultrafiltration eliminates the major part of water, mineral salts and lactose, but retains all soluble proteins representing 20% of total proteins and caseins. The product is more homogeneous and reduces losses of nitric matters at 4% against 23% by draining. Rennet and ferments are introduced into the retentate together with the necessary cream quantity. Temperature is set at 60°C because of the high viscosity. The draining produces a proteins loss of 25% in lactoserum which is a polluting product. With ultrafiltration, 100kg of milk contains 19 kg of proteins and 81 kg of lactoserum, against respectively 15 and 85 kg by draining. Rennet is added after ultrafiltration, permitting to save a part of it. The MMV process is utilized to make feta and soft cheese, camembert, brie, etc... The choice is between making cheese at low temperature <10°, to protect it from bacterial developments, but create prohibitive pressure losses because of the high viscosity at high concentrations, or to work at 50°C to diminish pressure losses with a risk of bacteria proliferation.

The best solution is to work at low temperature until a concentration ratio of about 3, and to reach the desired final concentration by heating the retentate at 50°C. This process is applied to the fabrication of Swiss cheese and feta, pressed cheese, such as saint Paulin and gruyere cheese. It permits to save 15% of milk. For fresh cheeses which contain 82 % of water, the concentration ratio is limited to 2 and since the viscosity is moderate, one can operate at low temperature. For camembert and goat cheeses the temperature is limited to 4°C until the dry matter, essentially nitric proteins reach 10%, then the temperature is raised to 50°C until a concentration of 20% in nitric matters. Losses of nitric matters are only 5% with ultrafiltration against 17 to 23% with the traditional process.

*Drawbacks*

The augmentation of ions concentration (Ca, Mg, and Potassium) mixed with caseins in the same proportion as proteins may modify the cheese taste, which becomes more acid. To avoid this acidity, one can add salt at the end of ultrafiltration or diafiltrate the cheese for the saint Paulin and start a lactic maturation for fresh cheeses. It is also possible to ultrafilter a milk acidified by lactic ferments which will fix Ca et Mg ions on soluble micelles, and will permit their elimination in permeate..

*Fabrication of fresh cheeses*

This process begins by concentrating milk by ultrafiltration before its acidification and coagulation by rennet. To avoid an excessive acidity, the milk is heated during 20 s at 80°C, which reduces the acid taste.

*Fabrication of soft cheeses*

For camembert, milk is concentrated 5 times until a dry matter content of about 35%. Milk is slightly acidified until a pH of 6.4 and the retentate is diluted par diafiltration to adjust ionic balance. 90% of feta is prepared by the MMV process. Milk is also concentrated 5 times before being directly coagulated during cheese packing and this process is very much developed, especially in Denmark.

The MMV process cannot be applied to hard cheeses (gruyere), as it does not permit to obtain a high enough concentration for their fabrication.

UNIVERSITY OF COPENHAGEN



# Copenhagen Master of Excellence

Copenhagen Master of Excellence are two-year master degrees taught in English at one of Europe's leading universities

Come to Copenhagen - *and aspire!*

Apply now at  
[www.come.ku.dk](http://www.come.ku.dk)



cultural studies



religious studies

science

### 5.2.6 Thermal treatment of milk at the farm

Normally, once milk has been collected from animals, it is kept at 4°C at the farm. Then, before distribution, it is heated at every four days at 72°C in order to destroy germs. It is not necessary to transport water and lactoserum, as only 20% of collected milk is consumed as milk or cheese. To avoid energy losses by heating, cooling, or transportation, milk can be ultrafiltered at the farm in order to add proteins and fat mass to retentate which represents only 20% of milk produced by the cows, while lactose and mineral salts that constitute the permeate are consumed in the farm by animals. This system is commercialized by Alpha Laval.

### 5.2.7 Fractionation of lactoserum by draining

The lactoserum is a by-product of cheese fabrication, and a pollutant because of its high content in organic compounds exposed to aerobic fermentation. Its composition for cheese obtained by draining is the following: lactose: 47 g/l, proteins: 8 g/l, mineral salts: 7 g/l, fat mass: 1.5 g/l.

Production of one kg of cheese generates from 5 to 10 kg of lactoserum. Its evaporation gives a dry product containing 12 to 14% of proteins, which is not enough to be commercialized.

To reduce COD (chemical oxygen demand, responsible of pollution) and to augment proteins content, 80% of proteins are recovered by ultrafiltration at 10 kDa, and permeate containing lactose is then treated by reverse osmosis. The retentate contains concentrated lactose, while the permeate, with a small quantity of organic pollutants can then be recycled in the plant. This process has been generalized since 1965. Proteins can be concentrated 20 times and the final product containing 80% of proteins, as well as lactose, are valorized in children food. Concentrated lactose is also used in food industry.

## C. Nanofiltration and reverse osmosis

### 5.2.8 Water treatment in processes from dairy industry.

This process is close to that of preceding section, but the ultrafiltration step is not necessary and is replaced by a nanofiltration, since milk is diluted in these effluents. Recovered proteins and lactose are valorized outside the food sector. To discharge effluents in rivers, a COD of less than 125 mgO<sub>2</sub>/l is necessary. For recycling them in a plant, the COD must be reduced to less than 50 mgO<sub>2</sub>/l and a final step of reverse osmosis is necessary. These processes are presently being developed.

### 5.2.9 Yogurts fabrication

This fabrication starts with a nanofiltration replacing reverse osmosis or vacuum evaporation, as energy consumption during concentration is higher to that of nanofiltration. Yogurts prepared by nanofiltration are fat-free with a small acidity and their organoleptic qualities are better than those of yogurts made by reverse osmosis or vacuum evaporation.

## 5.3 Other applications to food industry

### 5.3.1 Wines production

#### *Musts concentration*

Concentration of grapes musts by reverse osmosis improves their quality by eliminating part of contained water by reaching a dry matter concentration of 45° Brix with very good sugar content, higher than 99.5%. Dupont de Nemours Co manufactures a filtration module operating at a pressure of 120 bar to exceed 45° Brix (1° Brix = 1 g of sucrose in 100 g of solution). Wines prepared from these musts are richer in phenol compounds and more suitable for aging. Ultrafiltration may also be used for treating musts in place of centrifugation and for reducing SO<sub>2</sub> content. Microfiltration, with pores from 0.2 to 0.6 µm, clarifies musts by eliminating residues from fermentation, yeasts and lactic bacterias and permits their sterilization. Microfiltration may also replace a pasteurization of musts with few germs or stop a microbial development.

#### *Wine clarification*

After fermentation and the first removal of yeast wastes, microfiltration can replace filtration steps on membranes and kieselguhr. Pollution by kieselguhr can be avoided, which saves time. Dead end filtration on a 0.2 µm pores cartridge is also used to sterilize the wine before bottling. Microfiltration increases the treatment efficiency of tartaric stabilization by cooling, due to colloids retention and avoids precipitation of potassium hydrogen tartrate. This treatment may also be made by electro-dialysis, which is used for treating rinsing water from tanks. It eliminates color matters and 70% of COD in permeate and recovers tartaric acid and anthocyanes in retentate to valorize them.

Reverse osmosis permits to remove alcohol from wines after concentration, and replacing the permeate by the same water volume, which reduces the ethanol percentage. A preliminary step of ultrafiltration augments permeates fluxes of reverse osmosis.

Membrane filtration is mainly used for white and young wines. Trucks carrying filtration modules visit small producers who can filtrate their wines without having to purchase equipment.

*Involved Societies:* USA: Romicon. Germany: Sartorius All, France: Orelis, SIVA. Australia: Memcor.



### 5.3.2 Beer Microfiltration

Beer is traditionally filtered on kieselguhr or on press type filters. Cross flow microfiltration permits to avoid using kieselguhr and its pollution and to combine, in a single operation, beer clarification and sterilization by replacing pasteurization with an automated microfiltration. The two most interesting applications of microfiltration are presently the filtration of vintage beer and the recovery of left over beer in tanks that represents between 1.5 and 3% of produced volume, by concentrating it to 23% of dry weight. Microfiltration is carried out with tubular ceramic membranes of 0.4 to 0.8  $\mu\text{m}$  pores and channel diameters of 4 to 6 mm, as yeast suspensions are quite viscous. Recovered beer is added to the main production. Membrane filtration of vintage beer is not competitive by itself, but it can be, if combined with tank bottom recovery.

It is, however, possible that the quality of microfiltered beer be worse in case of strong fouling due to loss of some molecular or colloidal solutes such as polypeptids and polyphenols contributing to organoleptic characteristics of beer. Permeate fluxes vary from 10 to 50  $\text{lh}^{-1}\text{m}^{-2}$ , but with membrane pores larger than 0.8  $\mu\text{m}$ , beer would be cloudy. Fouling is principally due to internal pores blocking and only retrofiltration with transmembrane pressure reversal (backshock) during 0.1s at intervals of 1 to 5 s is efficient.

**Brain power**

By 2020, wind could provide one-tenth of our planet's electricity needs. Already today, SKF's innovative know-how is crucial to running a large proportion of the world's wind turbines.

Up to 25 % of the generating costs relate to maintenance. These can be reduced dramatically thanks to our systems for on-line condition monitoring and automatic lubrication. We help make it more economical to create cleaner, cheaper energy out of thin air.

By sharing our experience, expertise, and creativity, industries can boost performance beyond expectations. Therefore we need the best employees who can meet this challenge!

The Power of Knowledge Engineering

Plug into The Power of Knowledge Engineering.  
Visit us at [www.skf.com/knowledge](http://www.skf.com/knowledge)

**SKF**

### 5.3.3 Clarification of fruits juice (Apple, ananas)

Microfiltration can replace decantation to stabilize juices and avoid fermentation. It is especially interesting for apple juice, which requires a good clarity and may be also used for cider clarification, but the technology is more complex. To augment flux, apple juices are treated with pectinase and filtered at 50°C. Pores sizes from 1 to 0.2  $\mu\text{m}$  give good results, but it is also possible to use ultrafiltration with a cut-off larger than 50 kDa. To reduce transportation costs, apple juices may be concentrated to 25° Brix by reverse osmosis at 50°C.

Cider contains yeasts and fermentation residues, ethanol and  $\text{CO}_2$  and must be treated by microfiltration. Permeate fluxes reach 70–110  $\text{lh}^{-1}\text{m}^{-2}$  on mineral membranes of 0.2  $\mu\text{m}$  pores.

### 5.3.4 Other applications

#### *Sugar refining*

Ultrafiltration is used to decolorize sugar cane or beets syrups by eliminating polysaccharides and colloids. Syrup fabrication is rather complex and starts with cane crushing or cutting beets in small pieces. The next steps are liming by limestone milk, a first carbonation by  $\text{CO}_2$ , and a decantation with elimination of muds. A 2<sup>nd</sup> carbonation is carried out producing a cloudy juice, which is clarified by ultrafiltration at 15° Brix. After evaporation, the syrup reaches 70° Brix. One can also filtrate membrane juices obtained by hydrolysis of starch.

#### *Concentration and clarification of gelatin.*

Gelatin is a colloidal protein substance obtained by aqueous extraction at high temperature from animal skins and bones. Its clarification is made by microfiltration in case of high COD and liquid gelatin can be concentrated until 20% of proteins by ultrafiltration.

#### *Recovery of vegetal proteins (ultrafiltration of soya juice).*

Ultrafiltration at high temperature of soya juice (tonyu) permits to concentrate dry matter while eliminating trypsin inhibitors and unwanted soluble sugars. Ultrafiltered tonyu is mellower, more viscous and gelatinizes at high concentration. Curdled of soya (tofu) may be concentrated by ultrafiltration on mineral membranes.

#### *Pectins concentration by ultrafiltration and reverse osmosis*

Pectins are used as additives in fabrication of jellies, jams, desserts and children food. They stabilize and thicken also dressings for salads and ice creams. They permit to elaborate some medicaments and cosmetics due to their colloidal properties. Pectins also reduce cholesterol. They are extracted mainly from apple and lemon waste by alcoholic precipitation and evaporation.

The membrane process begins by an extraction from a tank containing water and acid, pectins are then pressed before ultrafiltration. The retentate supplies liquid pectins at a concentration of 60g /l while permeate is recycled on the tank. This permeate can also be recycled into a reverse osmosis module to recover valorizable products, while permeate of pure water is returned to the extraction tank.

The advantages of membrane processes are a better purification of sugar and mineral salts, by elimination in permeate of microsolute, a partial bleaching of the product by elimination of colored compounds in permeate and a diminution of consumed power relatively to evaporation. High temperature treatments are also avoided.

### 5.4 Medical and biotechnological applications

#### 5.4.1 Treatment of renal insufficiency by artificial kidney (Hemodialyzers)

Hemodialysis (blood dialysis) is used in case of chronic insufficiency (glomerules sickness) or renal arteries injuries when 90% of nephrons do not function. It consists in circulating patient's blood at a flow rate between 200 and 300 ml/min in a hemodialyzer containing an ultrafiltration membrane which eliminates urea and uremic toxins of blood by diffusion into the dialysate, an ionic fluid circulating on the other side of the membrane. A schematic of dialysis equipment is presented in Fig.13. Blood is collected by a needle in an arm artery by a roller pump and circulates in the dialyzer before being reinjected in a vein. The circuit also includes an arterial pressure transducer, an heparin injector to avoid formation of blood clots and a photoelectric detector of bubbles in blood.

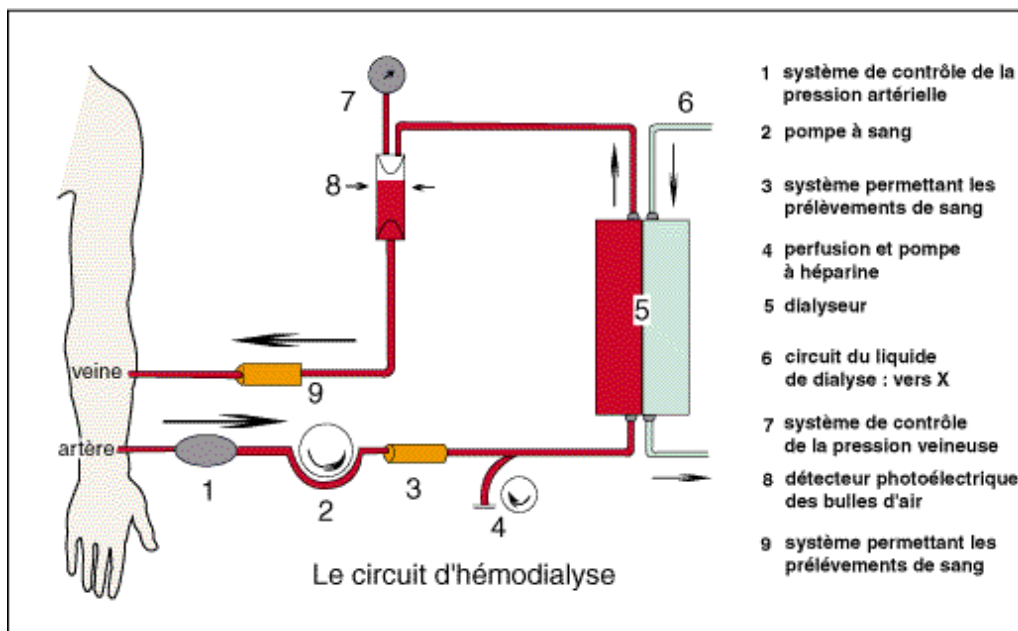


Fig 13. Schematic of a hemodialysis circuit and hemodialyzer

The dialysate eliminates toxins and excess water, but retains plasma ions as they have the same concentration as in dialysate, preventing their diffusion. It circulates in opposite direction to blood at a flow rate of 500 ml/min in order to maximize transfers and is not normally recycled. This treatment requires 3 dialysis sessions of 4h per week, together with dietetic restrictions to limit water and potassium intake. They are in France more than 30000 dialyzed patients and about 2 millions in the world. Hemodialyzers, which were initially plane filters are now mostly made of hollow fibers. These fibers are either cellulosic, cuprophan, or polymeric, (polysulfone, poly acrylonitrile, PMMA) more hemocompatible and with higher permeability than cuprophan.

Toxins removal is measured by the clearance  $K$  in ml/min which is the ratio mass flow rate crossing the membrane,  $Q_{Bi} C_{Bi} - Q_{Bo} C_{Bo}$ , divided by the toxin concentration at the hemodialyzer inlet  $C_{Bi}$ , giving

$$K = (Q_{Bi} C_{Bi} - Q_{Bo} C_{Bo}) / C_{Bi} \tag{73}$$

where  $Q_{Bi}$  et  $Q_{Bo} = Q_B - Q_F$  are respectively inlet and outlet blood flow rates and  $C_{Bi}, C_{Bo}$  the corresponding toxin concentrations. If ultrafiltration is small or zero, the clearance  $K$  is calculated as function of blood and dialysate flow rates, membrane area  $S$  and filtration resistance  $R_f$  of the hemodialyzer by

$$K = (e^\alpha - 1) / (e^\alpha - Q_B / Q_D) \tag{74}$$

where  $\alpha = (S / R_f)(Q_B^{-1} - Q_D^{-1})$  (75)

## Trust and responsibility

NNE and Pharmaplan have joined forces to create NNE Pharmaplan, the world’s leading engineering and consultancy company focused entirely on the pharma and biotech industries.

Inés Aréizaga Esteva (Spain), 25 years old  
Education: Chemical Engineer

– You have to be proactive and open-minded as a newcomer and make it clear to your colleagues what you are able to cope. The pharmaceutical field is new to me. But busy as they are, most of my colleagues find the time to teach me, and they also trust me. Even though it was a bit hard at first, I can feel over time that I am beginning to be taken seriously and that my contribution is appreciated.



NNE Pharmaplan is the world’s leading engineering and consultancy company focused entirely on the pharma and biotech industries. We employ more than 1500 people worldwide and offer global reach and local knowledge along with our all-encompassing list of services.  
[nnepharmaplan.com](http://nnepharmaplan.com)

nne pharmaplan®



This clearance does not depend upon toxin concentration in blood and patient condition. However, for a dialysate solute present in the hemodialyzer such as sodium ion  $\text{Na}^+$ , the clearance is replaced by the dialysance  $D$ , defined by

$$D = (Q_{\text{Bi}} C_{\text{Bi}} - Q_{\text{B0}} C_{\text{B0}}) / (C_{\text{Bi}} - C_{\text{Di}}), \quad (76)$$

where  $C_{\text{Di}}$  is solute concentration at inlet of dialysate compartment of hemodialyzer.

### *Hemofiltration*

This treatment consists in purifying blood only by convection using ultrafiltration without dialysate. The filtration rate  $Q_{\text{F}}$  must be of the order of 120 ml/min, which requires a blood flow rate through the needle of at least 300 ml/min. Mass balance on the hemodialyzer will be

$$Q_{\text{Bi}} C_{\text{Bi}} - Q_{\text{B0}} C_{\text{B0}} = Q_{\text{F}} C_{\text{F}} \quad (77)$$

And clearance becomes

$$K = C_{\text{F}} C_{\text{Bi}} / C_{\text{Bi}} = T_{\text{r}} Q_{\text{F}} \quad (78)$$

where  $T_{\text{r}} = C_{\text{F}} / C_{\text{Bi}}$  is the transmittance. This transmittance is equal to 1 for small solutes and decays towards zero when the solute molar mass becomes close to membrane cut-off.

The advantage of this process is its simplicity and the fact that clearance of various toxins decreases more slowly with molar mass than in dialysis where transfer is diffusive. This transfer is more physiologic and gives a better hemodynamic stability. It necessitates, however, polymeric membranes with high permeability and an accurate control of ultrafiltration. Sterile dialysate must be injected into the blood returning to patient to replace a part of permeate, which can reach 28 l, exceeding the water volume that will be withdrawn and varies from 1 to 4 l. This sterile dialysate is expensive.

### *Hemodiafiltration*

Hemodiafiltration is used more frequently than hemofiltration. It combines hemodialysis and a strong ultrafiltration, with 12 to 15 l of ultrafiltered volume. This process gives the best clearance as it combines an efficient diffusion of urea and a good convection for middle molecules, toxins of high molar mass. Its clearance is more difficult to calculate as blood and dialysate flow rates vary along the membrane. An empirical equation, also valid in conventional hemodialysis with a small UF is [3]

$$K_{\text{HDF}} = K_{\text{D}} + 0.46 Q_{\text{F}} \quad (79)$$

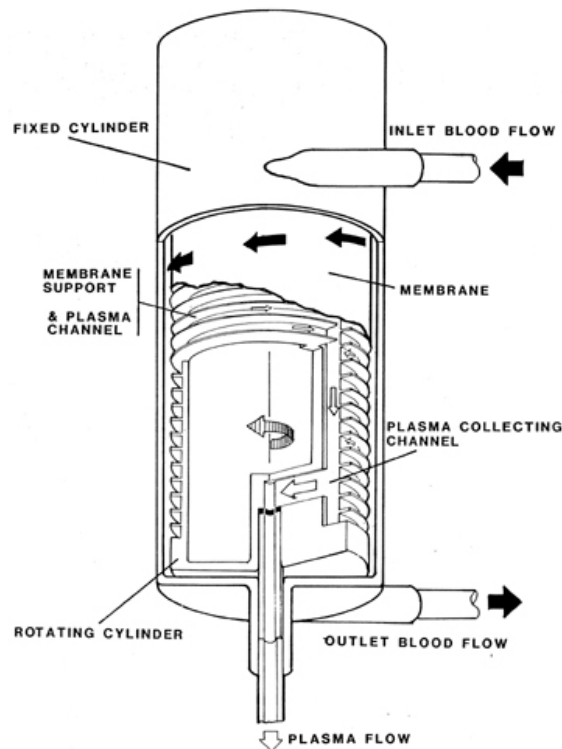
15% of renal patients in France are treated by hemodiafiltration.

#### 5.4.2 Preparation of human albumin in transfusion centers

This process necessitates three steps after collecting human plasma in a bag. Ethanol is added to precipitate immunoglobulins. Then, alcohol is eliminated by diafiltration of supernatant albumin. The last step is a concentration of retentate proteins by ultrafiltration at 10kDa until albumin concentration reaches 210 g/L, which is required for an injection. The process temperature is less than 10° C to avoid denaturing proteins.

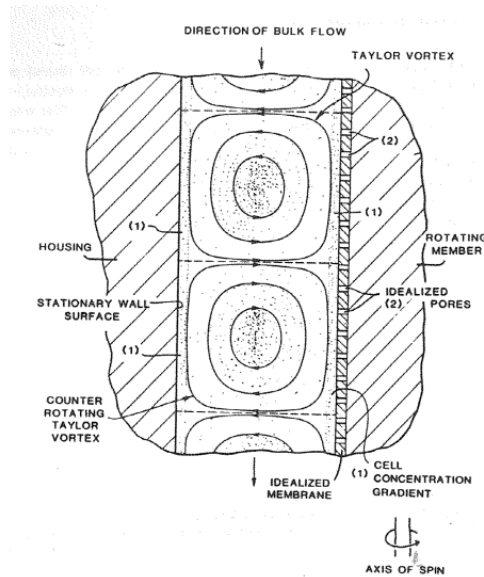
#### 5.4.3 Plasma collection from donors

Treatment of auto-immune diseases consists in replacing pathologic plasma by a healthy one. Donor's blood is withdrawn by a needle connected to a peristaltic pump and circulates in a filter to separate plasma, collected in a bag, from permeate, while platelets and red cells in retentate are returned to the donor. These filters were made initially of hollow fibers type with pores diameters from 0.2 to 0.5  $\mu\text{m}$ , but, in 1985, Hemascience Co (Ca, USA) introduced a dynamic filtration module with a cylindrical polycarbonate membrane of 58  $\text{cm}^2$  area and 1.34 cm radius, rotating inside a concentric cylinder at 3600 rpm/min. This single use filter, represented in Fig. 14, permitted to collect 600 to 700 ml of plasma in 30 min, more rapidly than a hollow fibers filter of 300  $\text{cm}^2$ , because of its high shear rate due to Taylor vortices generated by rotation (Fig. 15).



**Fig. 14.** Schematic of Plasmacell filter for plasma donation.





**Fig.15.** Taylor vortices in the gap between rotating filter and housing.


The small internal volume of this rotating filter limits the residence time of blood inside, reducing hemolysis risks for red cells and damages to platelets. This Plasmacell filter, commercialized later by Baxter Co and now by the German Company Fresenius Kabi with a nylon membrane, is very successful for plasma donation as it is automatized.

This e-book  
is made with  
**SetaPDF**



**SETASIGN**





PDF components for PHP developers

[www.setasign.com](http://www.setasign.com)



#### 5.4.4 Other applications

##### *Preparation of bioethanol by membrane*

European production of bioethanol from fermentation of sweet compounds has been multiplied by two from 2005 to 2006 with 1.6 millions of liters produced and this trend will continue if the project of mixing 10% of bioethanol to gasoline will take place. The necessary water must be treated by nanofiltration and reverse osmosis, while the biomass will be clarified by microfiltration and ultrafiltration before its fermentation. Ultrafiltration is used for concentrating the product before its treatment in an anaerobic digester. Effluents resulting from this fabrication may be treated by membrane bioreactors.

A new type de bioethanol is produced from vegetal biomass issued from straw, trees and herbs in order not to use beets and other products consumed by man. In this case, biomass is purified by a microfiltration and an ultrafiltration so as to limit risks of contamination of the fermentor. Nanofiltration and reverse osmosis permit to purify and concentrate the product before anaerobic digestion.

##### *Production of pure apyrogenic water for dialysis centers and pharmaceutical industry*

This process combines microfiltration + reverse osmosis with a final microfiltration, before utilization.

##### *Cell culture on membrane permitting oxygen supply*

An example is the macro-encapsulation of Langerhans islets inside hollow fibers for a bioartificial pancreas or of hepatocytes for hepatic support.

#### 5.4.5 Biological treatment of effluents by membrane bioreactors (MBR)

The principle of this treatment is to intensify bacterial proliferation in effluents by air injection and to use them to degrade pollutants. The MBR consists in a tank receiving water and containing biomass, or activated sludge, which is recirculated on the tank after crossing membrane modules of ultrafiltration or microfiltration. The retentate returns to the tank and excess sludge is discarded while permeate is recovered as rinsing water. MBR replace decantation ponds of the conventional process for separating biomass from effluent by gravity. Anaerobic processes are used to eliminate carbonic pollutants from concentrated dairy effluents. This process includes a 1<sup>st</sup> step of hydrolysis in which proteins and fats are hydrolyzed into amino-acids, fatty acids and small molecules. The 2<sup>nd</sup> step is a methanization converting metabolites in methane and CO<sub>2</sub>.

*Advantages:*

Biomass concentration in the MBR is about 20g/L instead of 3g/l in a reservoir, which increases effluent purification and reduces sludge production. Effluent is less polluted. Concentrations can reach 300 g/l for yeast and more than 120 g/l for bacterias. The replacement of decantation ponds by MBR saves a lot of space. This process is used in new buildings in Japan and spreads rapidly in industry.

*Drawbacks*

The cost of filtration plant (investment and electricity) is higher and technology is more complex. In France, Biarritz is one of the few large cities using MBR for water and waste cleaning.

*Systems types and manufacturers*

Degremont MBRs are equipped with mineral membranes and Orelis MBR with organic membranes. Initially the filter was in a loop outside the MBR. But Japanese companies, and Veolia Environment, have proposed to immerse U-shaped hollow fibers inside the MBR to avoid recirculation and reduce energy consumption. Permeate fluxes were smaller because of dead-end filtration, but compressed air could be used to clean membranes.

#### 5.4.6 Treatment of specific effluents

*Paper industry*

This industry produces 100 m<sup>3</sup> of effluents per ton of paper pulp. Ultrafiltration is used to recover and concentrate before recycling lignite and colour compounds. Mineral membranes permit to work at 120°C. The effluent is purified by nanofiltration. These processes are frequently used in Scandinavia.

*Textile industry*

Filtration permits to recover gluing agents of threads, non biodegradable polyvinyl alcohol, colour agents and indigo.

*Oil removal from cutting fluids*

During parts machining, the tool is lubricated by spraying oil to cool the part and evacuate the chips, then the part is rinsed by spraying water. This water contains less than 1% of emulsified oil forming droplets of 0.1 to 1µm diameter. Resulting pollutant emulsions can be separated by chemical methods or by microfiltration or ultrafiltration at 70°C. The membrane retains oil drops. Water from ultrafiltration permeate is recycled and oil from retentate, representing 5 to 10% of initial effluent volume, can be reused as cutting oil or be concentrated to more than 50% and incinerated

*Waste water treatment from nuclear plants*

The radioactivity of water from cooling circuits is due to iron hydroxide in saline medium. This water is concentrated by ultrafiltration or microfiltration to obtain recyclable water and a small volume of radioactive sludge, which will be vitrified.

*Electrophoretic paints recovery*

The part to be painted, for instance an automobile door, is immersed into a paint tank with pigments electrically charged. These pigments are projected on the door by an electric field created in the tank which produces a uniform paint layer. This process creates three problems:

- the presence of external ions issued from the part may perturb ionic balance by keeping the paint as colloidal suspension and make the paint inadequate.
- a large quantity of deionized water is necessary to rinse the metal part and get rid of excess paint.
- the paint must be separated from rinsing water to recover pigments and to avoid pollution.

To this effect, an ultrafilter must be inserted in the recirculation circuit of paint on the tank. Paint particles and pigments are rejected by the membrane while external ions are removed in permeate. Paint contained in rinsing water is returned to the tank and permeate is recycled as rinsing water which reduces water consumption. Membranes are in cellulose acetate or in polyacrylonitril. Paint consumption is greatly reduced and this process is much used in the car industry.



# FOSS

## Sharp Minds - Bright Ideas!

Employees at FOSS Analytical A/S are living proof of the company value - First - using new inventions to make dedicated solutions for our customers. With sharp minds and cross functional teamwork, we constantly strive to develop new unique products - Would you like to join our team?

FOSS works diligently with innovation and development as basis for its growth. It is reflected in the fact that more than 200 of the 1200 employees in FOSS work with Research & Development in Scandinavia and USA. Engineers at FOSS work in production, development and marketing, within a wide range of different fields, i.e. Chemistry, Electronics, Mechanics, Software, Optics, Microbiology, Chemometrics.

**We offer**  
*A challenging job in an international and innovative company that is leading in its field. You will get the opportunity to work with the most advanced technology together with highly skilled colleagues.*

*Read more about FOSS at [www.foss.dk](http://www.foss.dk) - or go directly to our student site [www.foss.dk/sharpminds](http://www.foss.dk/sharpminds) where you can learn more about your possibilities of working together with us on projects, your thesis etc.*

**Dedicated Analytical Solutions**

FOSS  
 Slangerupgade 69  
 3400 Hillerød  
 Tel. +45 70103370  
[www.foss.dk](http://www.foss.dk)

The Family owned FOSS group is the world leader as supplier of dedicated, high-tech analytical solutions which measure and control the quality and production of agricultural, food, pharmaceutical and chemical products. Main activities are initiated from Denmark, Sweden and USA with headquarters domiciled in Hillerød, DK. The products are marketed globally by 23 sales companies and an extensive net of distributors. In line with the corevalue to be 'First', the company intends to expand its market position.





Click on the ad to read more

### 5.5 Process optimization by a technico-economic method

The goal of this method is to minimize by an optimal choice of fluid velocity  $v$ , the total cost per par  $m^3$  of permeate (investment, operating and energy costs, and maintenance).

*Method*

Permeate flux data are obtained from experimental tests on pilots as

$$J=C_1v^m, \quad (80) \quad \text{and the pressure drop by} \quad \Delta p=C_2v^n \quad (81)$$

*Economic data*

The investment cost  $I$  of circuit +membranes is given by the ratio of price to utilization duration and maintenance  $M$ , will be assumed to be a fraction of  $I$ , for example:  $M=0.2 I$ .

Costs proportional to pumps power (consumed energy) are separated. For example, the power of loop pump  $P_B$  with flow rate  $Q_B$  will be augmented by 20% to take into account power of feed pump and cooling circuit, to give.

$$P_B =Q_B \Delta p_B \text{ with } Q_B =\Sigma v, \text{ where } \Sigma= \text{section area between parallel membranes} \quad (82)$$

The cost per  $m^3$  of permeate  $C_p$ , if  $\eta$  is the pumps efficiency,  $C_j$  the cost of electric joule,  $S$  the membrane area, is given by

$$C_p =P_B P_j /(\eta Q_F) =C_3 v^{n+m-1} \text{ with } C_3=C_2 \Sigma / (C_1 S \eta) \quad (83)$$

(83) shows that  $C_p$  increases when  $v$  rises.

Costs proportional to membrane area  $S$ , are amortization  $A$  and maintenance  $M$ . This cost per  $m^3$  of permeate  $I_A$  is equal to

$$I_A = (A+M)/Q_F = C_4 v^{-m} \quad (84)$$

If  $v$  increases,  $I_A$  decreases. There is an optimal speed  $v$  minimizing  $I =I_A + I_p$  that can be found from a graph or by calculating the value of  $v$  giving  $dI/dv=0$ .

This calculation is described in Fig. 15 which displays variations of amortization and operating costs as function of fluid speed along membranes.

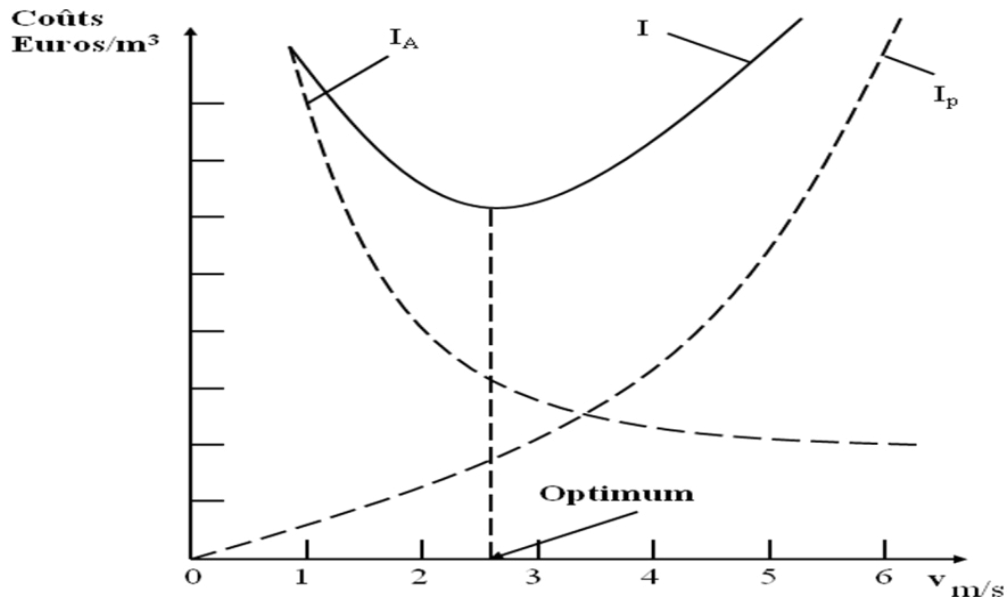


Fig. 16. Determination of optimal fluid velocity (2.6 m/s) to minimize process cost per  $m^3$  of permeate

“I studied English for 16 years but...  
...I finally learned to speak it in just six lessons”  
Jane, Chinese architect

ENGLISH OUT THERE

Click to hear me talking before and after my unique course download





# 6 High shear rate dynamic filtration

Dynamic filtration is a relatively recent process which necessitates special filtration modules, able to generate shear rates at membrane much higher than in crossflow filtration. A review of these systems can be found has been made by the author [4].

## 6.1 Principle of dynamic filtration

The axial fluid velocity is replaced by the rotation of a disk relatively to the membrane (rotating disk modules) or by the rotation of the membrane around an axis or by fluid inertia in modules with vibrating membranes such as the VSEP of New logic, CA USA.

### *Advantages:*

In classical cross flow filtration, the high axial fluid velocity produces a large pressure loss along the module and a high inlet ptm, while the high shear rates independent from the flow rate of dynamic filtration eliminates the fouling layer on membrane, and reduces concentration polarization in ultrafiltration and nanofiltration. The main advantages are

- A smaller feed flow rate, producing a smaller ptm, which is ideal for extracting macromolecules.
- Permeate flux larger than in crossflow filtration for microfiltration, ultrafiltration, nanofiltration and reverse osmosis.
- An excellent transmission of solutes in microfiltration and a higher rejection of micro-solutes by the membrane in ultrafiltration, nanofiltration and reverse osmosis, since diffusive transfer is reduced by the diminution of concentration polarization.
- The possibility to operate at very high concentrations, even in reverse osmosis.

These modules offer the choice to increase permeate fluxes by 3 to 5 times with slightly higher energy consumption or to produce fluxes equivalents to those of crossflow filtration by reducing the rotation speed of disks or membranes. In this case, the reduction of consumed energy per m<sup>3</sup> of permeate can reach 60%.

### *Drawbacks:*

Dynamic filtration modules are more complex and expensive per m<sup>2</sup> of membrane. The cost of their maintenance is also generally higher than for crossflow filtration modules.

## 6.2 Industrial systems of dynamic filtration

### 6.2.1 Modules with rotating cylindrical membrane

These systems consist in a cylindrical membrane rotating inside a concentric cylindrical housing like the Plasmacell of Fig 14 and take advantage of Taylor vortices which develop in the gap like in Fig. 15 and increase the shear rate by comparison with a Couette flow between two parallel plates with one moving relatively to the other. These vortices are created above a specific rotation speed such that the Taylor Nb Ta given by

$$Ta = (\omega R^{1/2} e^{3/2})/\nu \quad (85)$$

exceeds 42, where  $\omega$  is the membrane angular velocity in radian/s, R is the membrane radius, e the radial gap between membrane and outer cylinder and  $\nu$  the kinematic viscosity.

GI Taylor [5] has also proposed the following equation for the shear rate  $\gamma$  at membrane

$$\gamma = 0.23 Ta^{1/2} \omega R/e = 0.23 \omega^{3/2} R^{5/4} e^{-1/4} \nu^{-1/2} \quad (86)$$

which is valid for  $60 < Ta < 3000$ , and covers laminar and turbulent regimes.

Holeschowsky and Cooney [6] have used a Membrex module with a rotating cylindrical membrane to ultrafilter bovine albumin at a ptm of 800 kPa and have proposed for Sherwood number Sh

$$Sh = k_m e/D = 0.93 Ta^{0.5} Sc^{1/3} \quad (87)$$

where  $k_m$  is the mass transfer coefficient and D is the diffusivity.

The first industrial modules of this type were the Biodruckfilter of Sulzer AG, (Winterthur, Switzerland) and the Benchmark Rotary Biofiltration of Membrex (Garfield, NJ, USA) with membranes area of the order of 2 m<sup>2</sup>. It is in fact possible to mount a 2<sup>nd</sup> membrane fixed inside the concentric housing which would supply the same permeate flux as the other membrane. But these modules have a large volume/membrane area ratio which is a drawback. The main application of this concept is still the Plasmacell used for plasma donation described in section 5.4.3. It can be noted that the permeate rotates with the membrane, which produces a counter-pressure decreasing the ptm.

6.2.2 Systems with disks rotating on a single shaft

These systems are composed of separate compartments, each containing a metal disk rotating between two fixed circular membranes. A membranes change requires taking apart the module. One of first systems was the Pall DMF (USA) with 5 m<sup>2</sup> of organic membranes, but it is no longer sold. Bokela Co (Germany) commercializes the Dyno filter, along the same principle, with 1 to 12 m<sup>2</sup> of organic or inorganic membranes of 0.14 to 0.85 m of diameter, represented in Fig.17. Maximum pressure is 6 bar, and permits ultrafiltration.

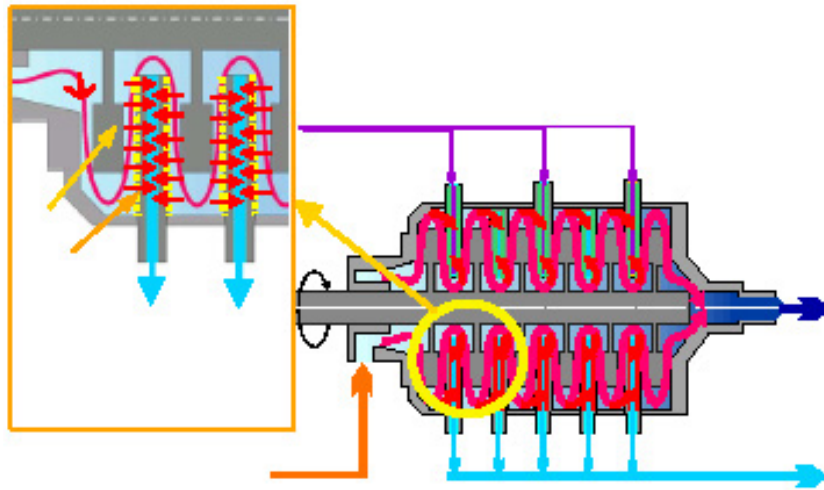


Fig. 17. Dyno module of dynamic filtration with metal disks rotating between circular membranes.


# The Wake

the only emission we want to leave behind

[Low-speed Engines](#) [Medium-speed Engines](#) [Turbochargers](#) [Propellers](#) [Propulsion Packages](#) [PrimeServ](#)

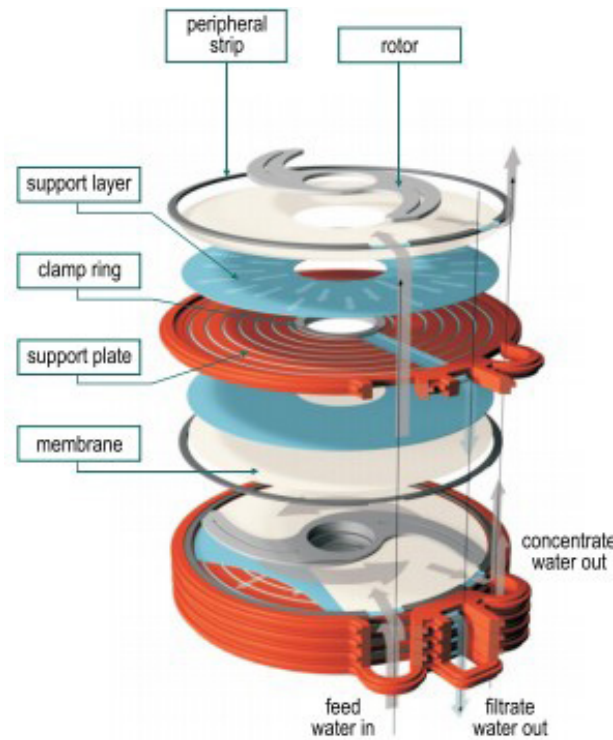
The design of eco-friendly marine power and propulsion solutions is crucial for MAN Diesel & Turbo. Power competencies are offered with the world's largest engine programme – having outputs spanning from 450 to 87,220 kW per engine. Get up front! Find out more at [www.mandieselturbo.com](http://www.mandieselturbo.com)

Engineering the Future – since 1758.  
**MAN Diesel & Turbo**





Another system produced by Metso Paper Co at Raisio (Finland) may include from 2 to 140 m<sup>2</sup> of organic membranes with diameters up to 1 m (Fig. 18). Disks are replaced by rotors with a peripheral velocity reaching 14 m/s with a 132 kW motor. Modules of 84 m<sup>2</sup> and 75 kW or 15 m<sup>2</sup> and 30 kW with membrane diameters of 0.55m are also available. These modules are frequently used in paper mill industry and for pigments recovery.



**Fig 18:** Optifilter CR module with rotating disks

Bouzerar et al [7] have proposed, from Navier Stokes theory, equations for local membrane shear rate as function of radius  $r$ . In laminar regime, this shear rate is given by

$$\gamma_t = 0.77 (k_e \omega)^{1.5} r v^{-0.5} \tag{88}$$

where  $k_e$  is the coefficient of fluid stirring by the disk equal to 0.42 for a flat disk and which can reach more than 0.82 for a disk equipped with radial vanes. In turbulent regime, they found, by using Blasius friction coefficient, the local shear rate  $\gamma_t(r)$

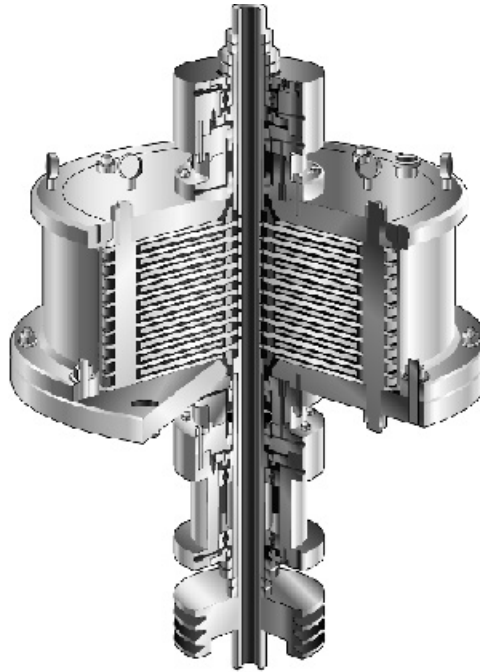
$$\gamma_t = 0.0296 (k_e \omega)^{1.8} r^{1.6} v^{-0.8} \tag{89}$$

The averaged shear rate on a disk of radius  $R$  becomes, by integrating (89) on the disk area

$$\gamma_{tm} = 0.0164 (k_e \omega)^{1.8} R^{1.6} v^{-0.8} = 0.55 \gamma_{max} \tag{90}$$

where  $\gamma_{max}$  is the maximum shear rate at  $r=R$ , at membrane periphery.

The Spintek, produced in United States, use circular membranes rotating between fixed plates (Fig. 19) whose area may reach 2.3 m<sup>2</sup> and is available with organic or ceramic membranes. These modules, with separate compartments, have limited membrane area unlike modules described in section 6.2.2.



**Fig. 19.** Spintek module with organic or ceramic membranes of 2.3m<sup>2</sup> total area

Their membrane shear rate is, however, higher than for fixed membranes and is given by,

$$\text{in laminar regime} \quad \gamma_{dl} = 1.81 (k_e \omega)^{1.5} r v^{-0.5}, \quad (91)$$

$$\text{and in turbulent regime} \quad \gamma_{dt} = 0.057 (k_e \omega)^{1.8} r^{1.6} v^{-0.8} \quad (92)$$

Since permeate rotates with the membrane, it produces a counter pressure which reduces  $p_{tm}$  like for cylindrical membrane modules.

### 6.2.3 Systems with membrane disks rotating around parallel axes

These systems consist in a housing in which ceramic membranes rotate around one or several shafts. Replacing membranes is then easier than in preceding modules and they can receive large membrane areas. The MSD (multishaft disks) from Westfalia Separator (Aalen, Germany), is available with ceramic membrane disks of 31 cm diameter mounted on 8 shafts for 20 to 80 m<sup>2</sup> of membranes area as shown in Fig. 20. The partial membranes overlap augments their shear rate and the permeate flux. Another system, the RotoStream, from Canzler (Germany) is available with ceramic membrane disks membranes with areas up to 154 m<sup>2</sup> and Hitachi (Japan) commercializes filtration modules with up to 100 m<sup>2</sup> of membranes area. These two modules have parallel shafts located in one plane and not on a cylinder as the MSD, which reduces membranes overlap.



Ding et al [7] have investigated the membrane speed in the overlap zone on a small MSD pilot with two shafts and have found that speed difference between two membranes constant and equal to  $d \omega$

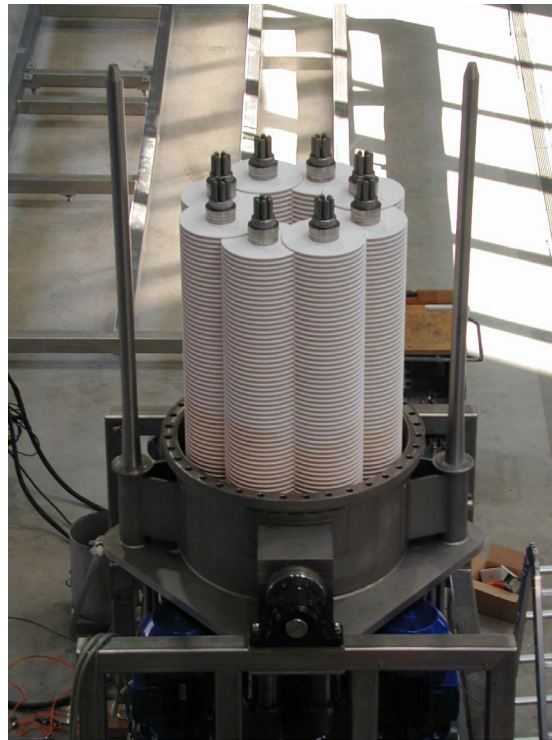


Fig 20. MSD Module with 80 m<sup>2</sup> membrane area

**gaiteye**<sup>®</sup>  
*Challenge the way we run*

**EXPERIENCE THE POWER OF  
FULL ENGAGEMENT...**

.....

**RUN FASTER.  
RUN LONGER..  
RUN EASIER...**

**READ MORE & PRE-ORDER TODAY  
WWW.GAITEYE.COM**

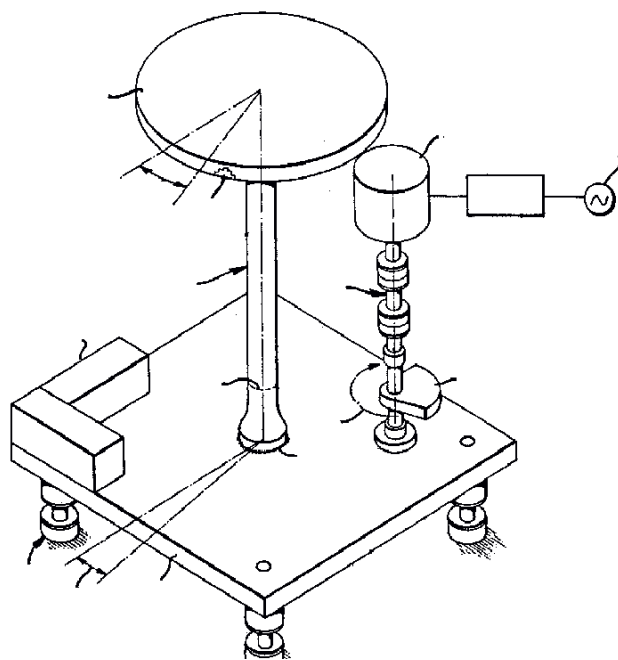


where  $d$  is the inter-shaft distance. This speed was 7.4 m/s at 1037 rpm and 13.7 m/s at 1930 rpm, which is 50% higher than the peripheral membrane speed.

The SSDF module of KMPT (Germany) can receive up to 15 m<sup>2</sup> of ceramic membranes on two shafts but is also available with 25 m<sup>2</sup> of composite membranes for microfiltration, ultrafiltration and nanofiltration, The Novoflow (Oberndorf, Germany), sells two single shaft modules with ceramic membranes of UF and MF, the CRD with 15.2 cm diameter membranes of 5 m<sup>2</sup> area and the SSDF with membranes 31.2 cm diameter membranes of 15 m<sup>2</sup> area. The module SSDF can also receive composite membranes of 55 cm diameter for MF, and NF with an area of 25 m<sup>2</sup>.

### 6.3 Systems with vibrating membranes

The most popular system is the VSEP (Vibratory shear-enhanced processing) introduced by New Logic Research (Ca, US) in 1992 [9] which consists in a stack of circular organic membranes separated by gaskets and permeate collectors vibrating azimuthally around a vertical axis at a frequency of about 60.3 Hz and an amplitude of 2.5 to 3 cm. The membrane shear rate is created by the fluid inertia, out of phase relatively to membranes. Fig. 21a represents a laboratory pilot equipped with a single membrane and Fig. 21b shows details of membrane and its gaskets and support in the housing. Oscillations frequency is close to the resonant frequency, which minimizes the power necessary to create these oscillations, which is only 9 kW for a total membrane area of 150 m<sup>2</sup>. Laboratory pilots have 30 cm diameter membranes, while those of industrial modules are 60 cm in diameter. Fig. 22 displays fluid circulation inside a VSEP with several compartments and Fig. 23 shows industrial modules with 150 m<sup>2</sup> of membrane area.



**Fig. 21a.** Laboratory pilot VSEP L 101

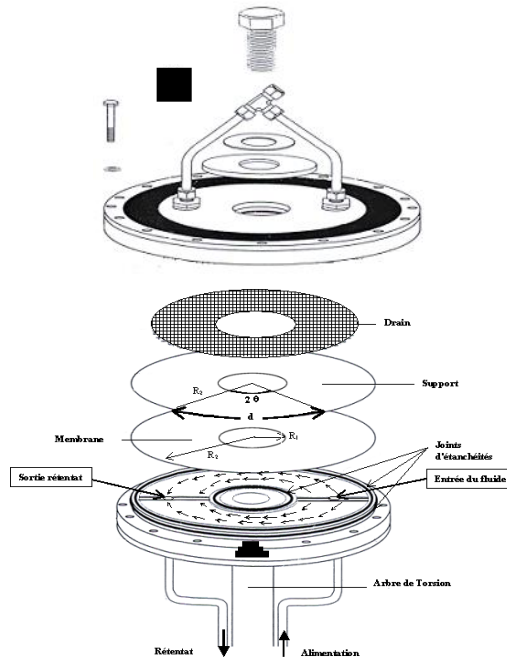


Fig. 21b. Details of VSEP L101 pilots

These systems can sustain pressures of 40 bar, permitting nanofiltration and reverse osmosis in addition to microfiltration and ultrafiltration. The membrane shear rate is determined by oscillations frequency and varies sinusoidally with time according to the following equation [10]

$$\gamma(r, t) = (rd/R_2) d (\pi F)^{1.5} v^{-0.5} (\cos\omega_1 t - \sin\omega_1 t) \tag{93}$$

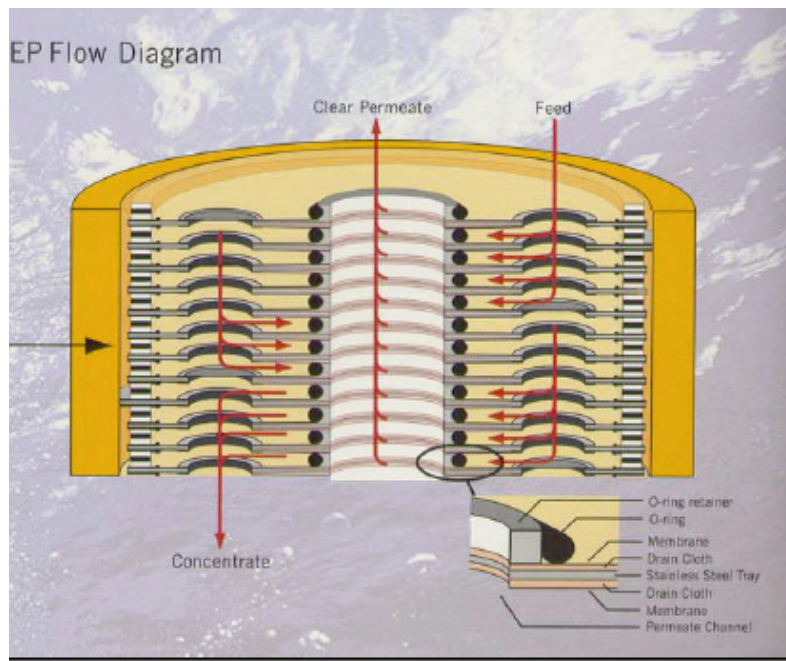


Fig 22. Schematic of fluid circulation inside a VSEP module

where  $d$  is the displacement amplitude of membrane at periphery,  $R_2$  the membrane outer radius,  $F$  the oscillations frequency and  $\omega_1 = 2\pi F$ . The maximum shear rate with time at membrane periphery is given by

$$\gamma_{\max 1} = 2^{0.5} d (\pi F)^{1.5} \nu^{-0.5} \tag{94}$$



Fig 23. Industrial VSEP modules with 150 m<sup>2</sup> of membranes



## Technical training on *WHAT* you need, *WHEN* you need it

**At IDC Technologies we can tailor our technical and engineering training workshops to suit your needs. We have extensive experience in training technical and engineering staff and have trained people in organisations such as General Motors, Shell, Siemens, BHP and Honeywell to name a few.**

Our onsite training is cost effective, convenient and completely customisable to the technical and engineering areas you want covered. Our workshops are all comprehensive hands-on learning experiences with ample time given to practical sessions and demonstrations. We communicate well to ensure that workshop content and timing match the knowledge, skills, and abilities of the participants.

We run onsite training all year round and hold the workshops on your premises or a venue of your choice for your convenience.

**For a no obligation proposal, contact us today at [training@idc-online.com](mailto:training@idc-online.com) or visit our website for more information: [www.idc-online.com/onsite/](http://www.idc-online.com/onsite/)**

OIL & GAS  
ENGINEERING

ELECTRONICS

AUTOMATION &  
PROCESS CONTROL

MECHANICAL  
ENGINEERING

INDUSTRIAL  
DATA COMMS

ELECTRICAL  
POWER



Phone: **+61 8 9321 1702**  
 Email: **[training@idc-online.com](mailto:training@idc-online.com)**  
 Website: **[www.idc-online.com](http://www.idc-online.com)**

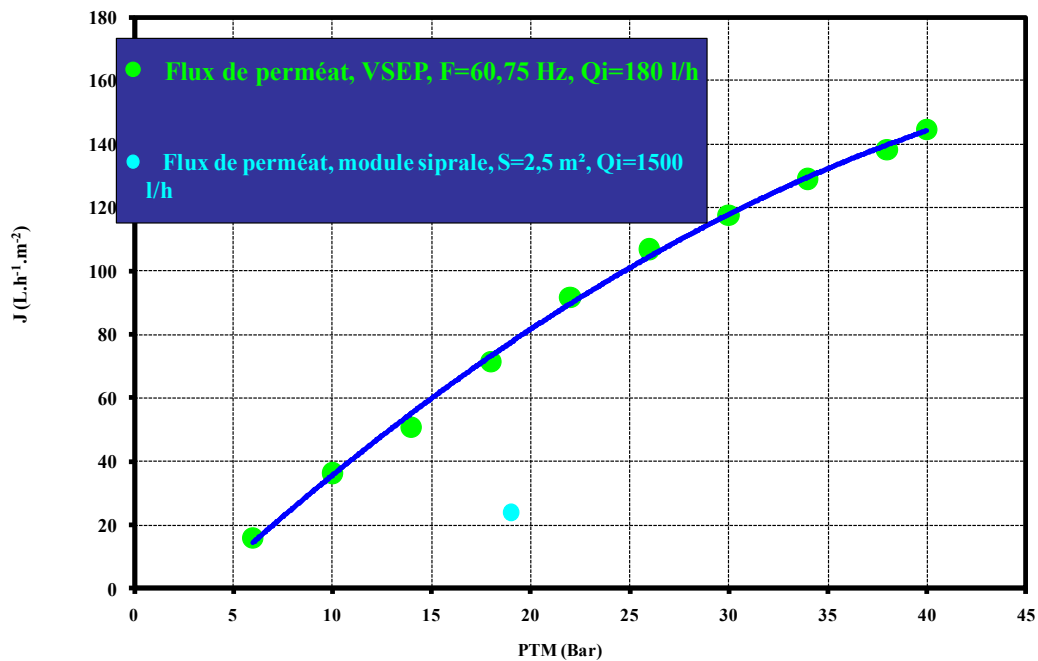


The mean shear rate on membrane is given by

$$\gamma_m = \frac{2^{3/2}(R_2^3 - R_1^3)}{3\pi R_2(R_2^2 - R_1^2)} \gamma_{max1} = 0.330 \gamma_{max1} \tag{95}$$

where  $R_1$  is the radius of membrane central hole for the shaft.

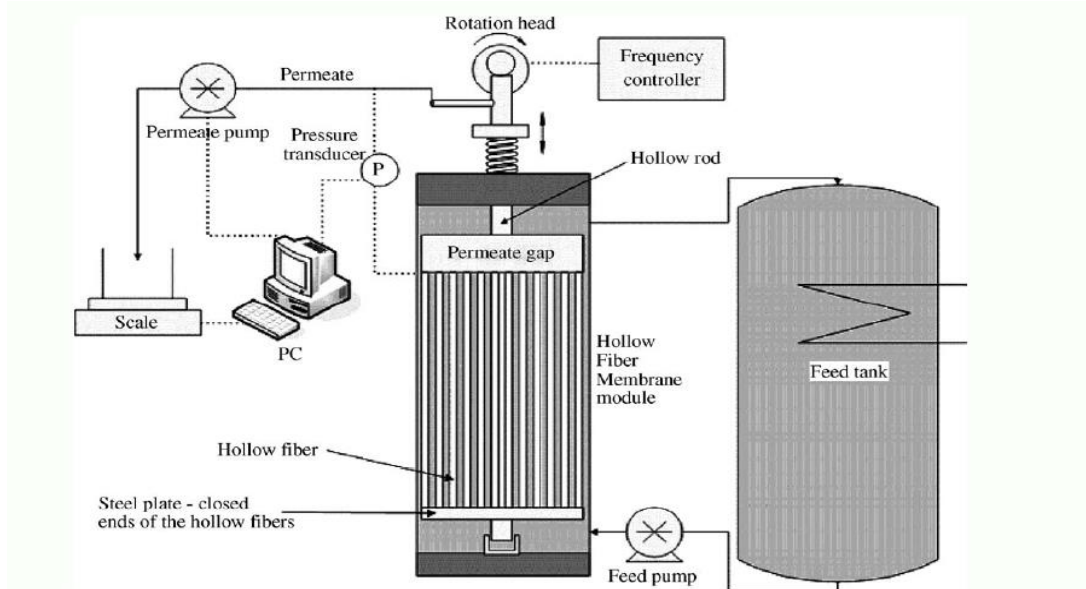
Permeate fluxes in dynamic filtration are 3 to 5 times higher than in cross flow filtration, as shown in Fig. 24.



**Fig.24.** Comparison between permeate fluxes from a VSEP pilot and a spiral module in NF of diluted milk with the same membrane at same tmp.

VSEP modules are relatively frequent in USA, Canada and in Eastern countries (Japan, Malaysia, and China). They are less used in Europe, perhaps because of the presence of German dynamic filtration modules. It is also possible to vibrate longitudinally vertical hollow fibers cartridges close at the bottom at a frequency of 30 Hz amplitude of 0.4 to 2.4 mm. (Fig. 25, Beier et al [11]). But these systems are not yet commercialized as their shear rates are smaller than those of VSEP.





**Fig. 25.** Schematic of a vibrating vertical hollow fibers cartridge which oscillates longitudinally to increase its shear rate. (From Beier et al [11])

I joined MITAS because  
I wanted **real responsibility**

The Graduate Programme  
for Engineers and Geoscientists  
[www.discovermitas.com](http://www.discovermitas.com)



**Month 16**

I was a construction supervisor in the North Sea advising and helping foremen solve problems

Real work  
International opportunities  
Three work placements



Click on the ad to read more

# 7 Summary

The various processes of membrane filtration (microfiltration, ultrafiltration, nanofiltration, reverse osmosis, electrodialysis and pervaporation) used in industry have been presented in the 1<sup>st</sup> chapter. A review of basic fluid mechanics has been given in the 2<sup>nd</sup> chapter in order to supply equations describing the flow inside filtration modules and their circuits. Methods for calculating permeate fluxes in laminar and turbulent regimes were also given. Chapter 3 describes various types of membranes and modules together with their advantages and drawbacks. Chapter 4 presents a modelisation of flows in filtration circuits including recirculation loops with modules in series and in parallel, which are frequent in industry. This modelisation permits to calculate variations of permeate and retentate concentrations with time.

Chapter 5 presents the main applications of these processes, especially those of food and dairy industries and a technico-economic method permitting, from filtration experimental and economic data, to calculate the power consumed and the process cost and to determine the optimal fluid velocity inside the membranes leading to a minimum cost per m<sup>3</sup> of permeate. Chapter 6 describes the principle of dynamic filtration, a recent process, creating very high shear rates by using rotating disks, and rotating or vibrating membranes. These modules produce permeate fluxes much higher than in cross flow with smaller feed flow rates, since the shear rate is independent of feed flow rates. They also permit excellent solute transmissions in microfiltration and a higher rejection of microsolute in ultrafiltration, nanofiltration and reverse osmosis, since the diffusive transfer is reduced by a diminution of concentration polarization.

## Nomenclature

b: width

C: concentration

D: diffusivity or dialysance      d: diameter

e: thickness

h: height

J: permeate flux

K: clearance

k: mass transfer coefficient

$k_s$ : fluid stirring coefficient

L: length       $L_p$ : hydraulic permeability

p: pressure       $p_{tm}$ : transmembrane pressure, P: power



Q: flow rate

R: radius or rejection rate, r: local radius

$R_m$ : membrane resistance,  $R_c$ : fouling resistance,  $R_T$ : total resistance

S, S': sieving coefficient

$T_f$ : transmittance

U: local fluid speed

V: volume, v: mean velocity on section

c: abscissa y: ordinate

#### *Indices*

a : feed, B :loop, F : filtrate, l : laminar R : retentate, t : turbulent, w : membrane (for shear rate)

*Abbreviations:* VRR: volume reduction ratio, G : Graetz nb, Sh : Sherwood nb,

Ta : Taylor nb

#### *Greek Symbols*

$\Delta p$ : drop;  $\gamma$ : shear rate,  $\epsilon$ : porosity,  $\mu$ : dynamic viscosity,  $\nu$  : kinematic viscosity,

$\pi$ : osmotic pressure,  $\omega$ : angular speed

## 8 References

1. W.F. Blatt, A. Dravid, A.S. Michaels, L. Nelson, Solute polarization and cake formation in membrane ultrafiltration: causes, consequences and control techniques, in J.E. Flinn (Ed), *Membr. Sci. and Tech.* Plenum press, New York, N.Y (1970) 47–97.
2. G. Daufin, F. René, P. Aimar. *Les séparations par membrane dans les procédés de l'industrie alimentaire.* Tec Doc Lavoisier (1998).
3. M.Y. Jaffrin, L.H. Ding, J.M. Laurent. Simultaneous convective and diffusive mass transfers in a hemodialyser. *J. Biomech. Eng.* 112 (1990) 212–219.
4. M.Y. Jaffrin. Dynamic shear-enhanced membrane filtration: a review of rotating disks, rotating membranes and vibrating systems. *J. Membr. Sci.* 324 (2008) 7–25.
5. G.I. Taylor. Fluid friction between rotating cylinders. I-torque measurements. *Proc. R. Soc. A* 157 (1936) 546–564.
6. U.B. Holeschovsky, C.L. Cooney. Quantitative description of ultrafiltration in a rotating filtration device. *AIChE J.* 37 (1991) 1219–1226
7. R. Bouzerar, M.Y. Jaffrin, L.H. Ding, P. Paullier. Influence of geometry and angular velocity on performance of a rotating disk filter. *AIChE J* 46 (2000) 257–265.
8. L.H. Ding, M.Y. Jaffrin, M. Mellal and G. He, Investigation of performances of a multishaft disk (MSD) system with overlapping membranes in microfiltration of mineral suspensions, *J. Membr. Sci.* 276 (2006) 232–240.
9. A.D. Armando, B. Culkin, D.B. Purchas, New separation system extends the use of membranes. *Proc. Euromembrane 92*, Paris vol. 6, Lavoisier, Paris, 1992, p. 459.
10. O. Al-Akoum, M.Y. Jaffrin, L.H. Ding, P. Paullier, C. Vanhoutte, An hydrodynamic investigation of microfiltration and ultrafiltration in a vibrating membrane module. *J. Membr. Sci.* 197 (2002) 37–52.
11. S.P. Beier, M. Guerra, A. Garde, G. Jonsson, Dynamic microfiltration with a vibrating hollow fiber module: filtration of yeast suspensions. *J. Membr. Sci.* 281 (2006) 281–287.

# Application exercises

## Exercise 1.

A suspension of  $\text{CaCO}_3$  particles of initial concentration  $C_0$  is concentrated with a tubular membrane of length  $L= 1 \text{ m}$  and  $1\text{mm}$ .thickness. The local mass transfer coefficient  $k(x)$  is given in these conditions by the equation

$$k(x) = 1,047 \cdot 10^{-5} x^{-1/3} \text{ in m/s}$$

1. Calculate the mean permeate flux if the suspension pressure is constant and equal to 2.3 bar (with a negligible pressure drop) and permeate pressure is equal to 1 bar.

Data: filtrate viscosity:  $\mu=1.1 \cdot 10^{-4} \text{ Pa s}$ ,  $\text{CaCO}_3$  density:  $\rho=2600 \text{ kg/m}^3$

Membrane resistance  $R_m = 1.56 \cdot 10^{12} \text{ m}^{-1}$ . Porosity of formed cake:  $\epsilon= 0.4$  (see Eq. 14)

Initial suspension concentration  $C_0= 20 \text{ kg/m}^3$



www.job.oticon.dk

oticon  
PEOPLE FIRST

*Exercice 2. Diafiltration process with variable volume*

A solute of total mass  $M_p$  and concentration  $C_p(t)$  is concentrated by diafiltration with a membrane module operating in single batch (voir Fig 10), while eliminating another solute of concentration  $C_a(t)$  which is not rejected. Initial concentrations are  $C_{p0}$  et  $C_{a0}$  and final ones are  $C_{pf}$  et  $C_{af}$ . Permeate flux is given in  $l/hm^2$  by

$$J_v = (B_1 + B_2 C_p + B_3 C_a)^{-1} \text{ when concentrations are expressed in g/l}$$

1. Calculate the duration  $t_1$  of concentration phase (without adding water) to concentrate the solute  $C_p$  until its final concentration  $C_{pf}$ . Deduce the normalized duration  $T_1$  for treating 1 kg of solute with 1  $m^2$  of membrane. Assume  $B'_1 = B_1 + B_3 C_{a0}$
2. Calculate the normalized duration  $T_2$  of diafiltration phase at constant volume which brings  $C_a$  to its final value  $C_{af}$  if concentration is finished when  $C_p = C_{pf}$ . Assume  $B'_2 = B_1 + B_2 C_{pf}$
3. The goal is to combine these 2 operations in a single phase by adding a water flow rate  $Q_D$  related to permeate flow rate  $Q_F$  by  $Q_D = Q_F (1 - 1/\alpha)$  where  $\alpha$  is constant. Determine, with mass conservation equations, a relation between  $C_a$  and  $C_p$ , initial concentrations and  $\alpha$ . Find the value of  $\alpha$  permitting to reach the final state. Calculate the normalized duration  $T_3$  of this single phase process.

Numerical application. Calculate  $T_1$ ,  $T_2$  and  $T_3$  for  $C_{p0} = 7.5$  g/l,  $C_{a0} = 200$  g/l,  $C_{pf} = 210$  g/l, and  $C_{af} = 1$  g/l,  $B_1 = 5 \cdot 10^{-3}$ ,  $B_2 = 0.9 \cdot 10^{-4}$ ,  $B_3 = 1.7 \cdot 10^{-4}$ . Which is the best process?

*Exercice 3. Process optimization by a technico-economic method.*

An industrial filtration unit is composed of  $p$  chains of parallel modules including each chain including  $q$  tubular modules in series. The fluid cross section of each module is  $\Sigma = 72$   $cm^2$  and its membrane area is  $S = 5.73 m^2$ . The permeate flux in  $l/hm^2$  is  $J = 15v^{0.8}$ , the pressure drop in Pascal of each module is  $\Delta p = 7 \cdot 10^{-7} v^2$ , where  $v$  is the fluid velocity in  $m/s$ ,

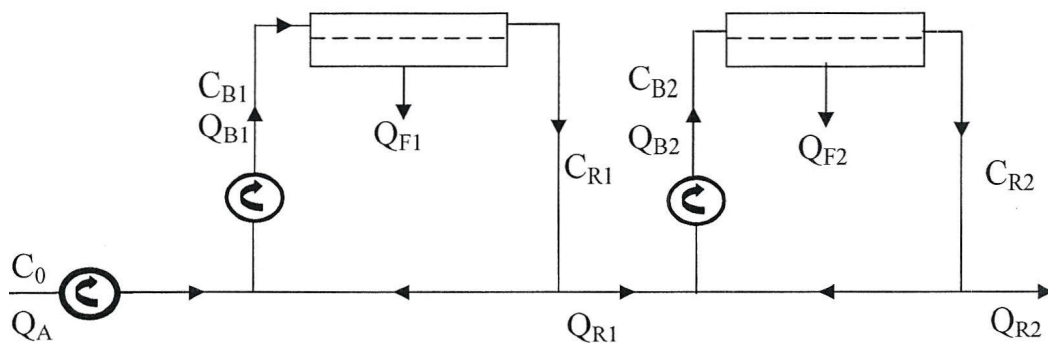
1. Calculate the power  $P_b$  of loop pump in watt and the permeate flow rate in  $m^3/s$ . and the specific energy  $P_b/Q_F$  consumed per  $m^3$  of permeate. This energy will be increased by 20% to account for the feed pump and the cooling system. Calculate the cost of electricity per  $m^3$  of permeate, if the Kwh price is 0.07 €.
2. Membranes cost is 4300€/ $m^2$  and they are amortized over 3 years. The price of de filtration unit (without membranes) is 1400 €/per  $m^2$  of membrane, amortized over 8 years with 7000 h/year of utilization. Calculate the cost of amortization per  $m^3$  of permeate which should be increased by 20% to include maintenance. Calculate the total costs per  $m^3$  of permeate.
3. Find the fluid velocity in modules which minimizes this cost and calculate it. What will be the permeate flux?
4. Calculate the optimal velocity if the price of Kwh becomes 0.09 €?

Exercise 4.

The goal is to concentrate, by a factor of 8 in volume, milk proteins using a continuous process with 2 loops (see Figure.below). Inlet proteins concentration is  $C_a$ , their sieving coefficient  $S'$ , based upon retentate concentration (to simplify its calculation) is  $S' = C_{F1}/C_{R1} = 0.1$  for both loops ( $i=1,2$ ). The feed flow rate is  $Q_a = 3 \text{ m}^3/\text{h}$ .

- 1) Calculate flow rates  $Q_{F1}$  et  $Q_{R1}$  so that the volume reduction ratio ( $VRR_1 = Q_a/Q_{R1}$ ) of 1<sup>st</sup> loop to 2.5. Find  $Q_{F2}$  et  $Q_{R2}$  so that the total  $VRR = Q_a/Q_{R2}$  be equal to 8.
- 2) From mass balances of each loop, calculate proteins concentration ratio of each loop,  $C_{R1}/C_a$ ,  $C_{R2}/C_{R1}$  and the total concentration ratio  $C_{R2}/C_a$ , and deduce the final recovery factor in retentate  $r = C_{R2} Q_{R2}/C_a Q_a$ .
- 3) It is assumed that permeate fluxes of each loop ( $i = 1, 2$ ) are given by  $J_i = k \ln(C_w/C_{Ri})$  where  $k = 25 \text{ l/hm}^2$  and  $C_w = 10 C_a$  are the same for each loop. Calculate membrane areas  $A_1$  and  $A_2$  of each loop.
- 4) Because of internal pores fouling, the permeate flow rate decayed to  $1.44 \text{ m}^3/\text{h}$  in the 1<sup>st</sup> loop and to  $0.61 \text{ m}^3/\text{h}$  for the 2<sup>nd</sup>. Calculate the new retentate flow rates, the total VRR, the total concentration ratio  $C'_{R2}/C_a$ , and the new recovery factor  $r'$  in retentate.
- 5) Find the feed flow rate  $Q'_a$  necessary to obtain the initial VRR of 8, with filtration flow rates of question 4. Calculate the total protein concentration factor in this case.

Fig12



Exercise 5.

An industrial microfiltration system consists in a recirculation loop with 10 parallel chains of 3 modules in series. Each module contains tubular membranes of total area  $S=11.46 \text{ m}^2$ . The inner cross section of tubes is  $\Sigma= 144 \text{ cm}^2$ . The permeate flux and pressure drop for each module are given by

$$J_i = 15 V^{0.8} \text{ in l/hm}^2 \text{ et } V \text{ in m/s}$$

$$\Delta p_i = 0.07 V^2 \text{ in bar}$$

It is assumed that the flow rate  $Q_B$  crossing each module is the same as  $Q_{Fi} \ll Q$  and  $V=3$  m/s.

- 1) Calculate the total permeate flux  $J$  and the total filtration rate  $Q_F$ .
- 2) Calculate the loop flow rate  $Q_B$  and the total pressure drop in chain.
- 3) Calculate the power  $P_B$  consumed by the loop feed pump if its efficiency is 0.8.
- 4) If the membranes number is 2000, calculate the length  $L$  of each membrane, and the Reynolds  $Nb$  if  $\mu=1$ cp and  $\rho= 1$ kg/lit.

*Exercice 6. Cake filtration law*

It happens that the membrane is covered by a particles cake which makes an additional filtration resistance  $R_c = aV_p$  proportional to filtered volume  $V_F$  which deposit particles on the membrane. The permeate flux  $J(t)$  decays with time according to the relation

$$J(t) = \frac{ptm}{R_m + aV_F(t)}$$

where  $R_m$  denotes the membrane resistance. Deduce that the flux variation  $J(t)$  is given by

$$J(t) = \frac{J_0}{\left(1 + \frac{2aJ_0 At}{R_m}\right)^{1/2}}$$

**Schlumberger**

# WHY WAIT FOR PROGRESS?

**DARE TO DISCOVER**

Discovery means many different things at Schlumberger. But it's the spirit that unites every single one of us. It doesn't matter whether they join our business, engineering or technology teams, our trainees push boundaries, break new ground and deliver the exceptional. If that excites you, then we want to hear from you.

[careers.slb.com/recentgraduates](https://careers.slb.com/recentgraduates)





where  $J_0$  is the initial flux and  $A$  the membrane area. Roots of a 2<sup>nd</sup> degree equation

$$ax^2 + bx + c = 0 \text{ are } x = \frac{-b \pm \sqrt{b^2 - 4ac}}{2a}.$$

*Exercice 7. Cascade filtration*

A solution contains two solutes a and b at concentrations  $C_{a0}$  and  $C_{b0}$ . The goal is to eliminate solute a with higher molecular weight while recovering and concentrating solute b. The filtration system is given in the figure below. The solution is divided in 2 tanks 1 and 2 containing respectively initial volumes  $V_{10}$  et  $V_{20}$ . The 1<sup>st</sup> filter retains solute a in tank 1 with a rejection rate  $R'_a$  given by  $C_{Fa} = C_a(1 - R'_a)$  and transmits completely solute b. Tank 2 is fed by permeate of filter 1. The 2<sup>nd</sup> filter, completely rejects both solutes, and is used to concentrate solute b. All flow rates, including  $Q_{F1}$  et  $Q_{F2}$ , are constants.

- 1) 1<sup>st</sup> circuit. Write volume and mass balance equations on this circuit (Tank 1+filter 1). Calculate variations of  $V_1(t)$  and  $C_a(t)$  with time. Find solute b concentration in permeate flow rate  $Q_{F1}$ . Integral of  $dx/(A+Bx) = (1/B)\ln(A+Bx) + C$ .
- 2) Concentration stops when tank 1 and circuit volume reaches a value  $V_m$ . Calculate the circuit VRR, the process duration and the final concentration ratio of solute a ( $C_{af1}/C_{a0}$ ). Numerical application:  $V_{10} = 900$  L,  $V_m = 30$  L,  $Q_{F1} = 120$  L/m,  $R'_a = 0.95$ .
- 3) 2<sup>nd</sup> circuit. Solute b is in tank 2 and filter 2 which operates simultaneously with the 1<sup>st</sup> circuit (same filtration duration). At  $t=0$  this circuit is filled with a volume  $V_{20} = 20$  L containing solutes at their initial concentrations  $C_{a0}$  and  $C_{b0}$ . Calculate the final volume in tank 2  $V_{2f}$  if  $Q_{F2} = 0.8 Q_{F1}$  together with final concentration ratios  $C_{af2}/C_{a0}$  et  $C_{bf}/C_{b0}$  in this tank, for data of question 2.
- 4) Using volume and mass balance equations on circuit 2, find a differential equation for  $C_b$  which would permit to find the variation  $C_b(t)$ .

