

UNIT 1

Graph Theory

GALGOTIAS
UNIVERSITY

Contents

1. Graph of a Network definitions
2. Tree and co tree
3. Link, basic loop
4. Basic cut set
5. Incidence matrix
6. Cut set matrix
7. Tie set matrix
8. Duality
9. Loop and Nodal methods of analysis.

GALGOTIAS
UNIVERSITY

Path (Walk):

A sequence of branches going from one node to other is called path. The node once considered should not be again considered the same node.

Loop (Closed Path):

Loop may be defined as a connected sub-graph of a graph, which has exactly two branches of the sub-graph connected to each of its node.

For example, the branches 1, 2 & 3 in figure 7 constitute a loop.

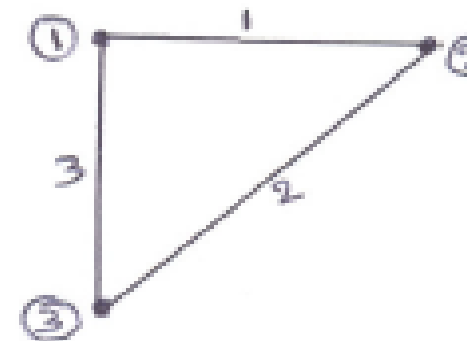


Fig.7 Loop

Planar and Non-planar Graphs:

A planar graph is one where the branches do not cross each other while drawn on a plain sheet of paper. If they cross, they are non-planar.

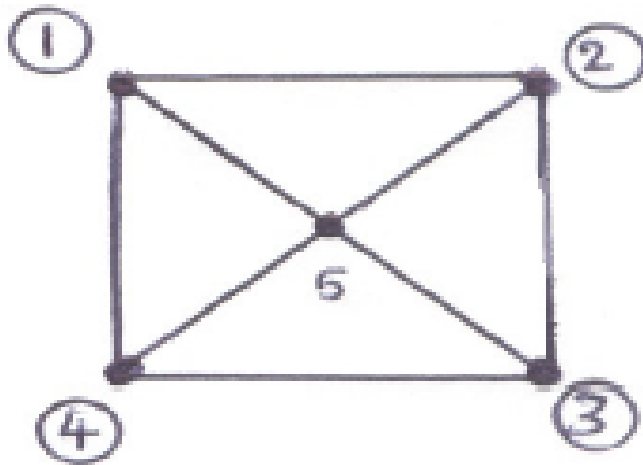


Fig.8 Planar Graph

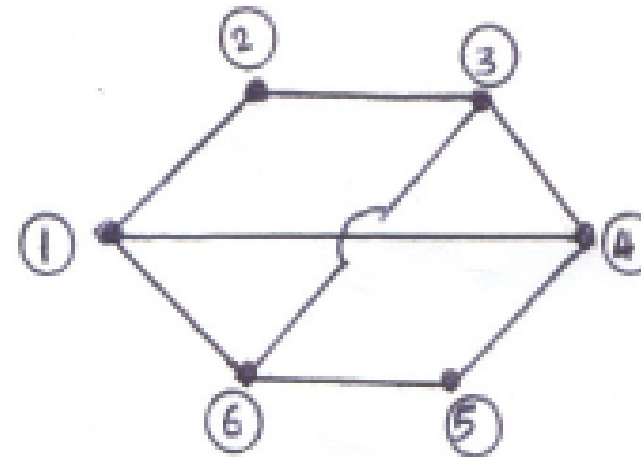


Fig.9 Non-planar graph

Oriented Graph:

The graph whose branches carry an orientation is called an oriented graph

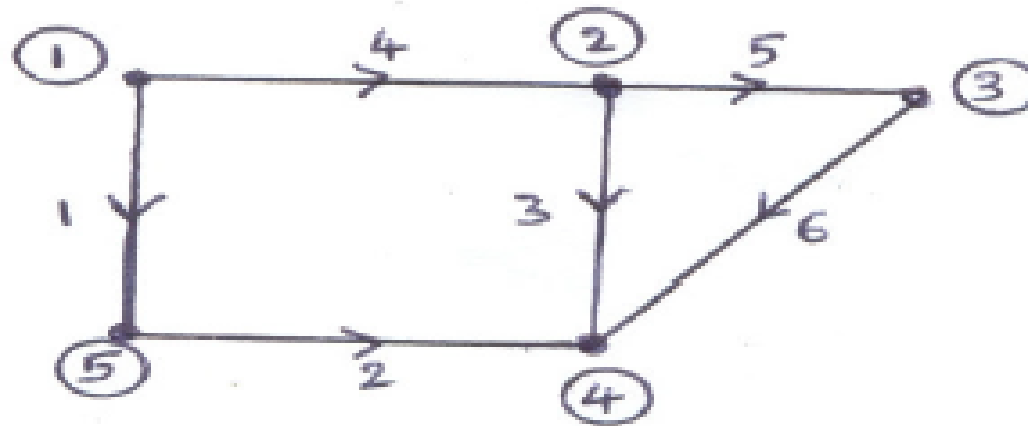


Fig.10 Oriented Graph

The current and voltage references for a given branches are selected with a +ve sign at tail side and -ve sign at head



Tree:

Tree of a connected graph is defined as any set of branches, which together connect all the nodes of the graph without forming any loops. The branches of a tree are called Twigs.

Co-tree:

Remaining branches of a graph, which are not in the tree form a co-tree. The branches of a co-tree are called links or chords.

The tree and co-tree for a given oriented graph shown in figure 11 is shown in figure 12 and figure 13.

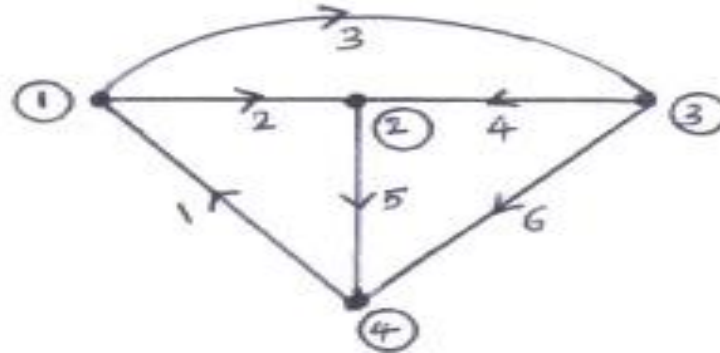


Fig. 11 Oriented Graph

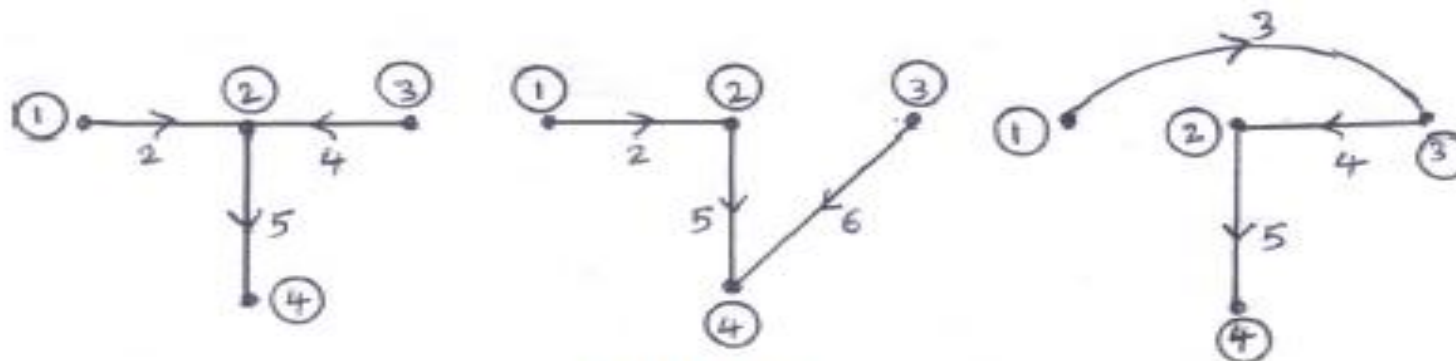


Fig.12 Trees

School of Electrical, Electronics and Communication Engineering

Course Code : BTEE2002

Course Name: Network Analysis and Synthesis

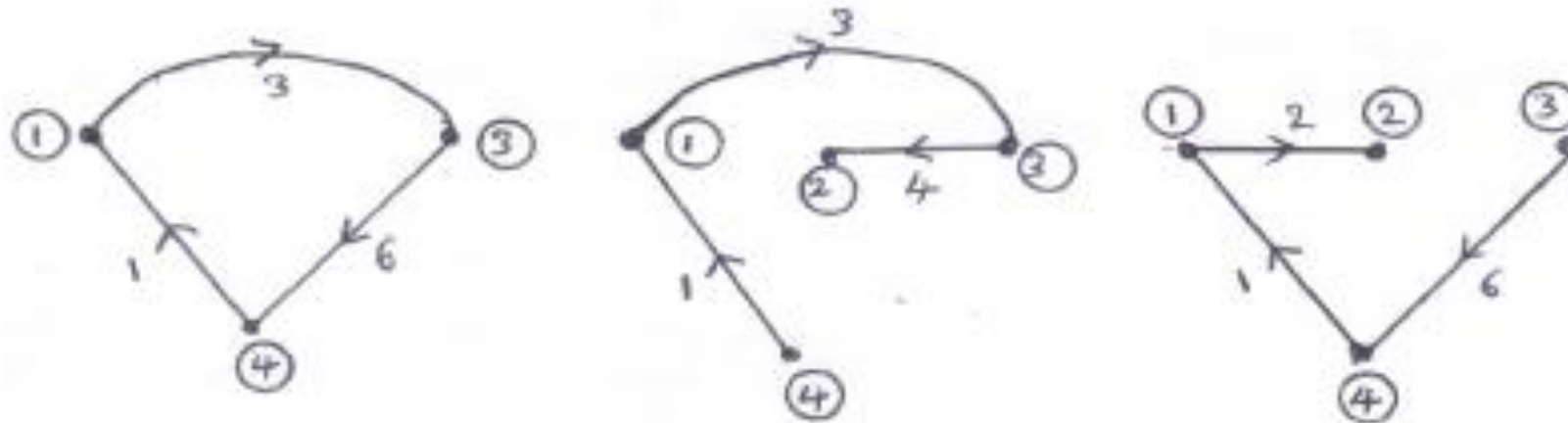


Fig.13 Co-trees

Tree	Twigs	Links (Chords)
1	2, 4 & 5	1, 3 & 6
2	3, 4 & 5	1, 2 & 6
3	2, 5 & 6	1, 3 & 4

References

1. M. E. Van Valkenburg, "Network Analysis", Prentice Hall, 2006.
2. D. Roy Choudhury, "Networks and Systems", New Age International Publications, 1998.
3. W. H. Hayt and J. E. Kemmerly, "Engineering Circuit Analysis", McGraw Hill Education, 2013.
4. C. K. Alexander and M. N. O. Sadiku, "Electric Circuits", McGraw Hill Education, 2004.
5. K. V. V. Murthy and M. S. Kamath, "Basic Circuit Analysis", Jaico Publishers, 1999. Syllabus
6. K.M. Soni, " Network Theory", S.K. Kataria Publication